

TECHNICAL SPECIFICATION/INSTRUCTION MANUAL

Cart for modular grid platforms WSZG-30



File: 2015-08-12

PRODUCT SUPPORT
Paweł Ciechanowski
p.ciechanowski@polanik.com

I. General description and use

Polanik SZG-30 cart is a durable galvanized steel construction. It is equipped with an universal platform (dimensions 100 cm x 92,5 cm) and wire netting container for small elements.. It is also equipped with an ergonomic handle and thanks to this it's easy to move. The cart is designed for transporting modular grid platforms which whole weight is up to 400 kg.



New ergonomic handle

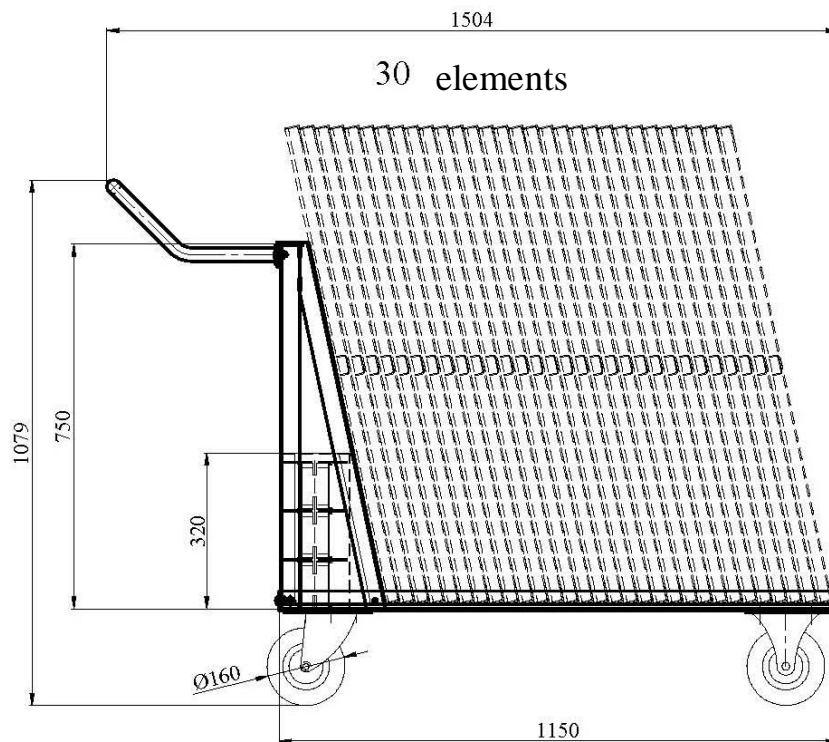


Wire netting container

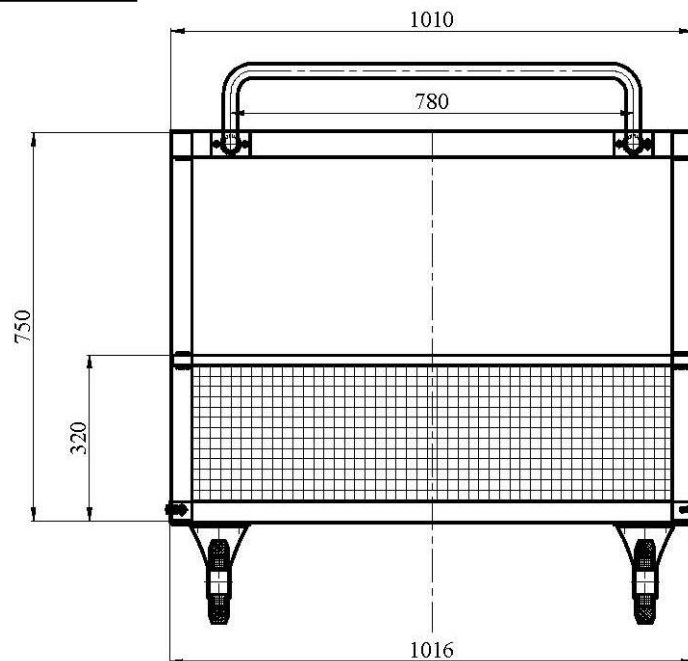


II. Technical specification

Code	WSZG-30
Type	cart for modular grid platforms
Load	up to 400 kg
Material	galvanized steel
Handle	steel powder painted , ergonomic
Waga netto [kg]	



Dimensions in [mm]





III. Assembly

The cart is delivered in parts.

IV. Operation and maintenance

The cart must be stored in a roofed and dry place.

V. Declaration

- 1) No 2015-08-06
- 2) Issuer's name: POLANIK
Issuer's address: Życzliwa 11, 97-300 Piotrkow Tryb.
- 3) Objects of declaration

No.	Name of goods	Code
1	Cart for modular grid platforms	WSZG-30

- 4) Technical specification described above is in accordance with the factory's internal engineering standards.

Additional Information

- 5) Declaration for:

Buyer/Distributor/User

Signed for and in behalf of:

POLANIK

2015-08-06 Piotrkow Tryb.

(Date and place of issue)

- 6) Paweł Ciechanowski

Product Manager

.....

(Name, function)

.....

(Signature or equivalent authorized by the issuer)