

TECHNICAL SPECIFICATION ASSEMBLY MANUAL

Combo racks

CR-3d

CR-3d-W

CR-3s

CR-3s-W

CR-4

CR-4-W



File: 2016-06-06

PRODUCT SUPPORT

Paweł Ciechanowski

p.ciechanowski@polanik.com

I. General description and use

Combo racks (CR serie) are designed for storing various kinds of athletics equipment in storehouses or for using them during athletics competitions.

II. Dane techniczne

Code	Weight [kg]	Dimensions after assembly length/width/height [mm]	Material	Model	Capacity[pcs]
CR-3d	20	1035/510/815-1050	Powder coating steel	stationary	12 javelins, 12 shot puts and 26 discuses
CR-3d-W	22,5			on wheels	12 javelins, 12 shot puts and 26 discuses
CR-3s	20			stationary	12 javelins, 13 discuses and 24 shot puts
CR-3s-W	22,5			on wheels	12 javelins, 13 discuses and 24 shot puts
CR-4	22			stationary	6 hammers, 12 shot puts, 7 discuses and 12 javelins
CR-4-W	25,65			on wheels	6 hammers, 12 shot puts, 7 discuses and 12 javelins



CR-3d-W



CR-3s-W



CR-4-W

POLANIK
ul. Życzliwa 11
97-300 Piotrków Trybunalski

tel. +48 44 646 44 81
tel. +48 44 648 50 89
fax +48 44 646 43 58

e-mail: info@polanik.com
www.polanik.com

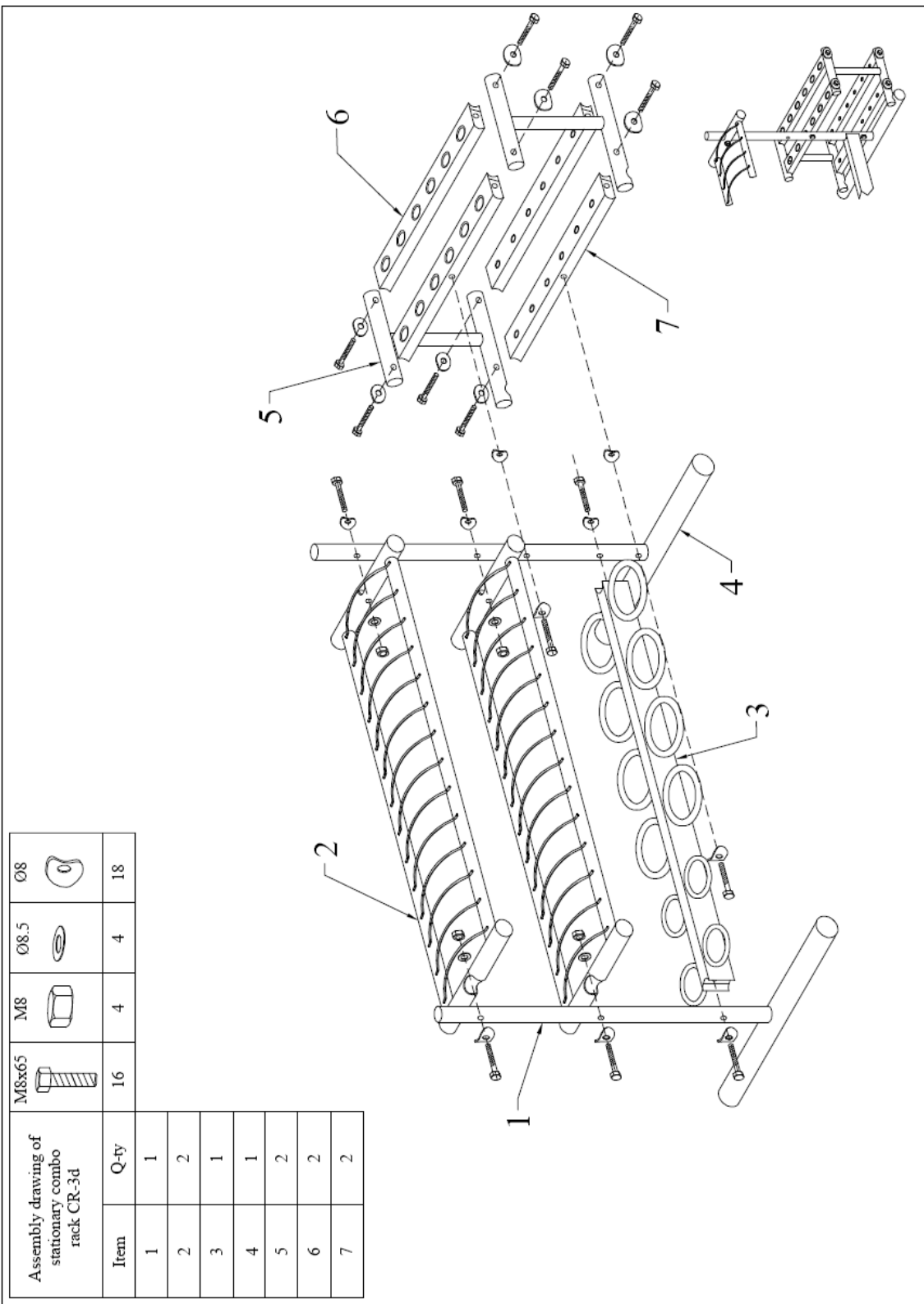


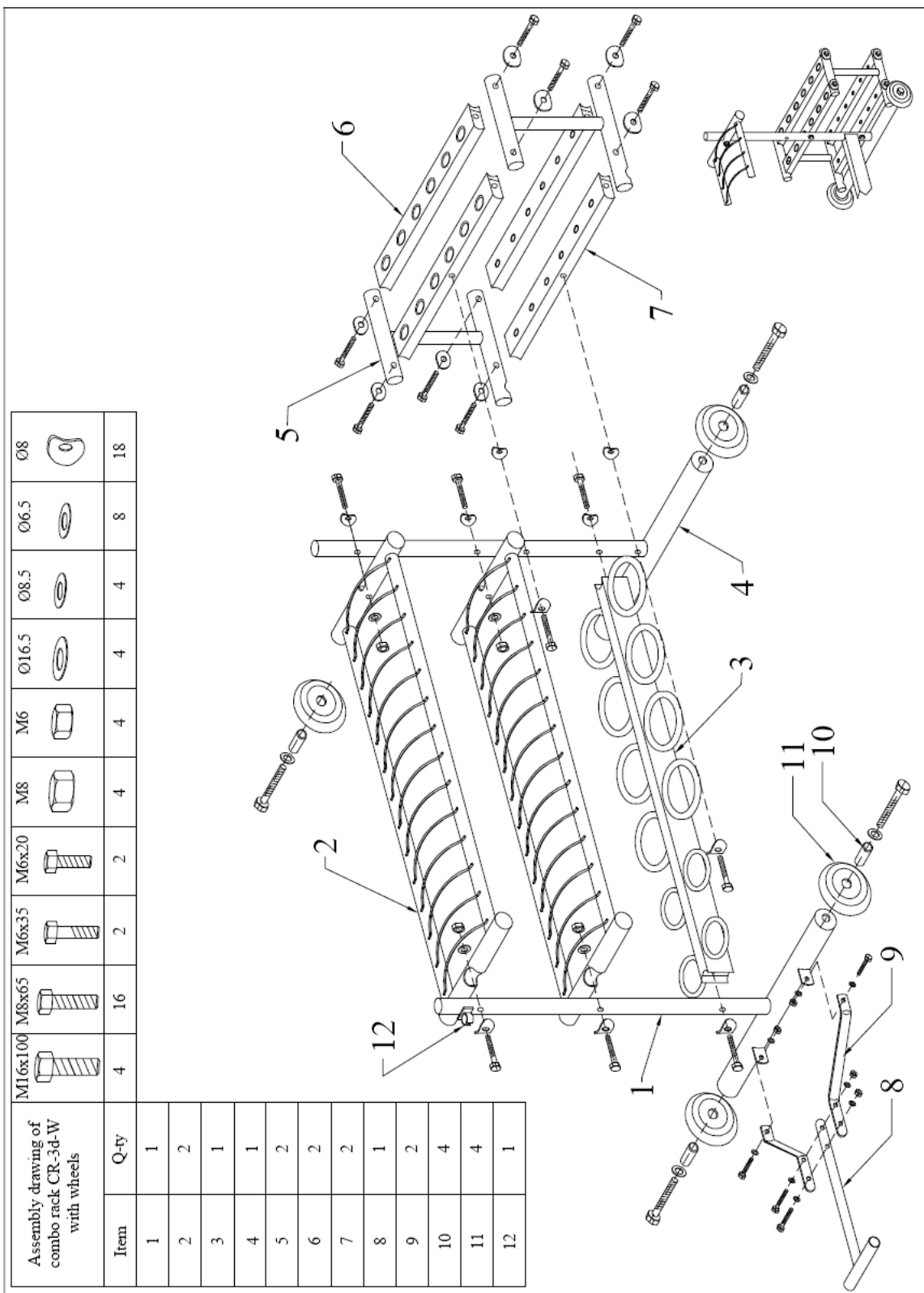
III. Packing and transport

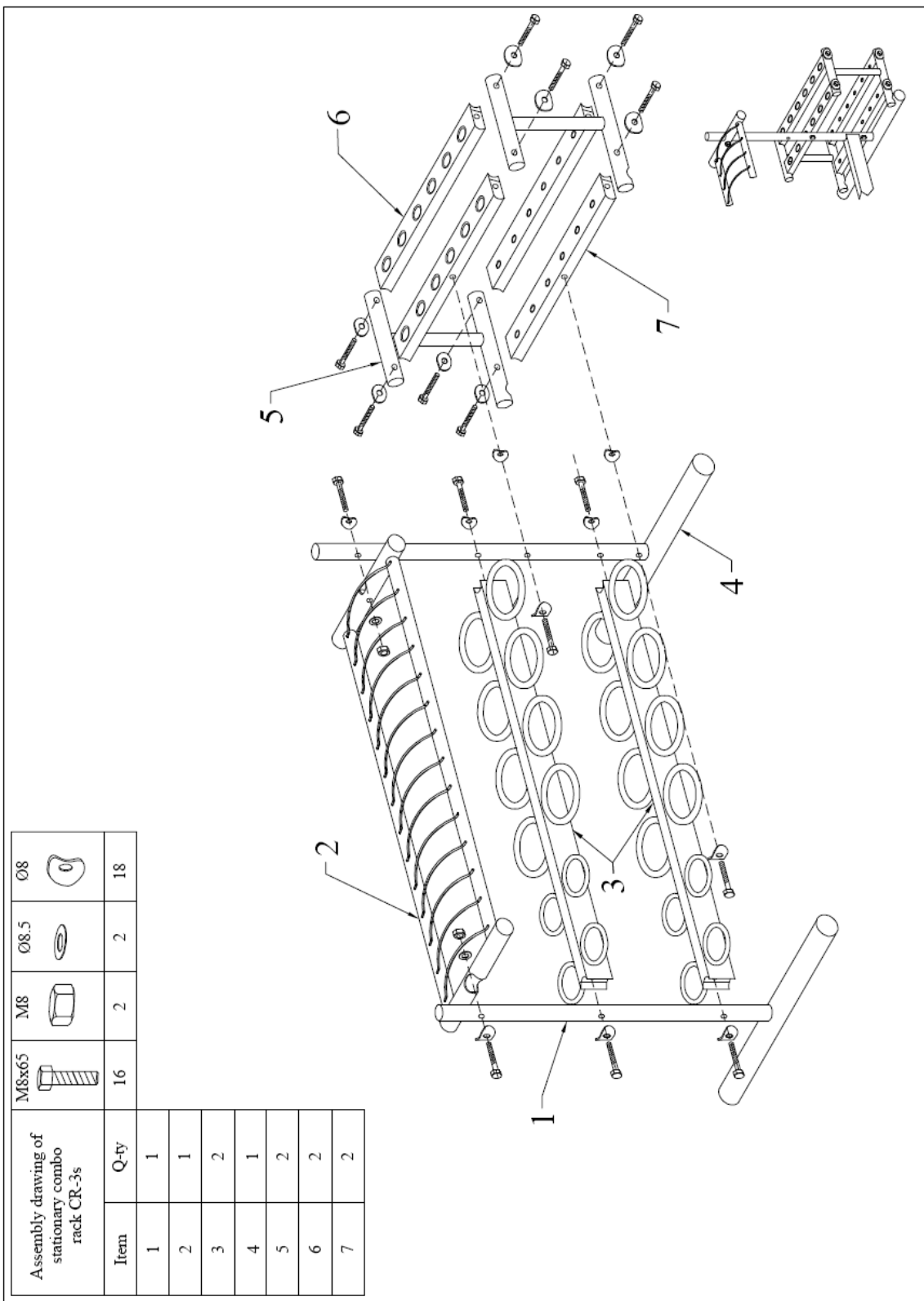
Racks are delivered in parts, packed in a cartoon box.

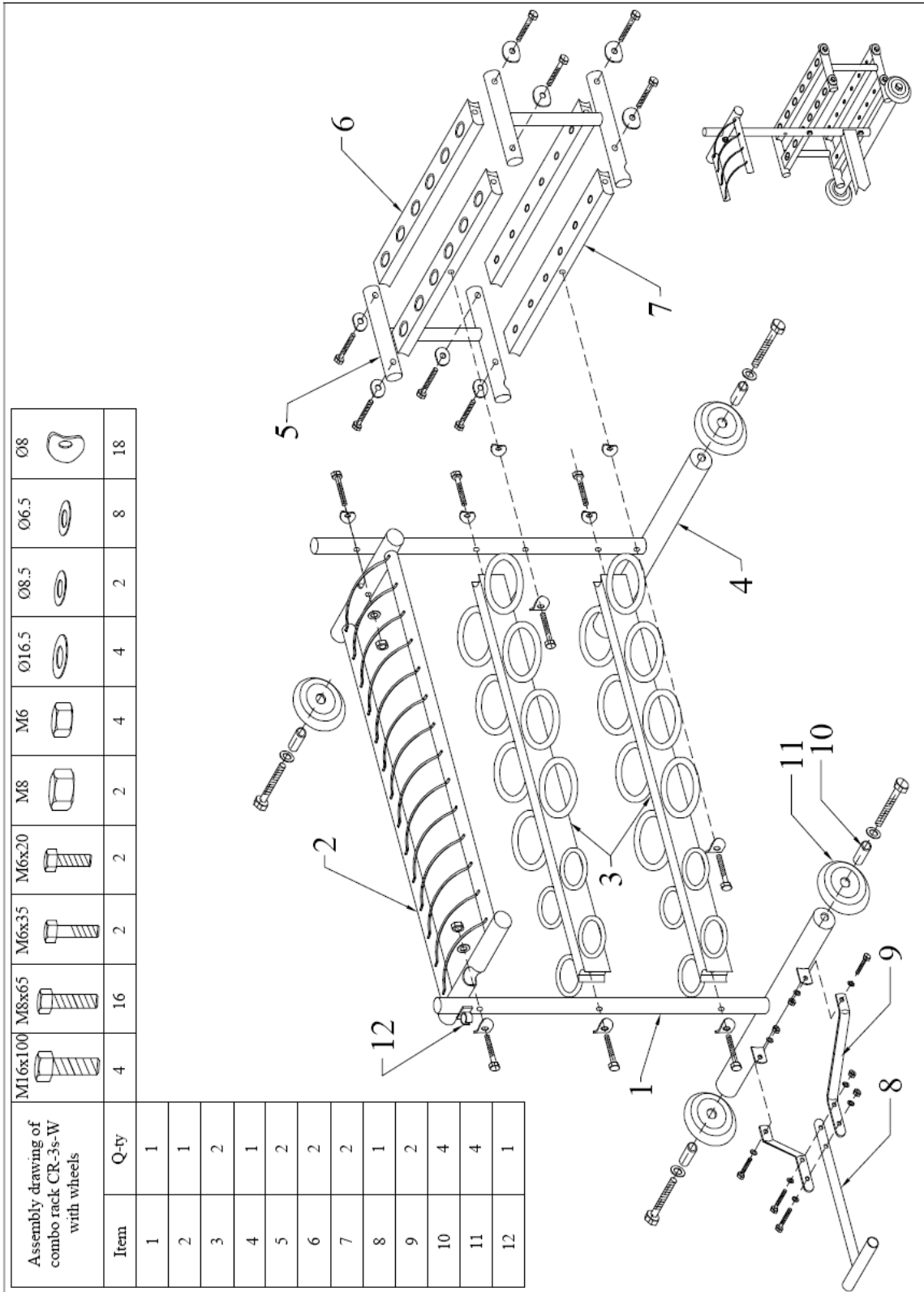
IV. Assembly

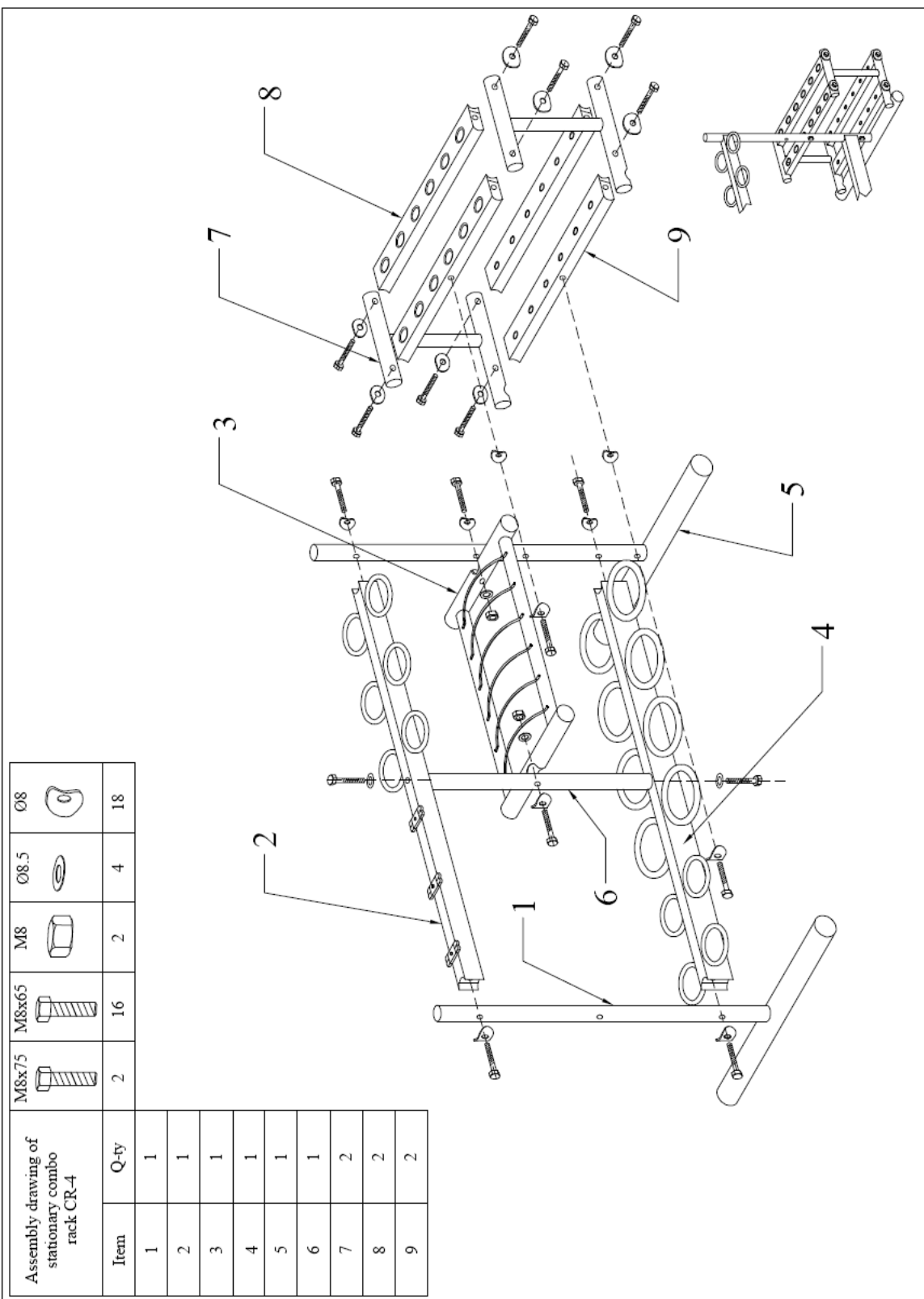
Racks' parts should be screwed in the way pictures below show.

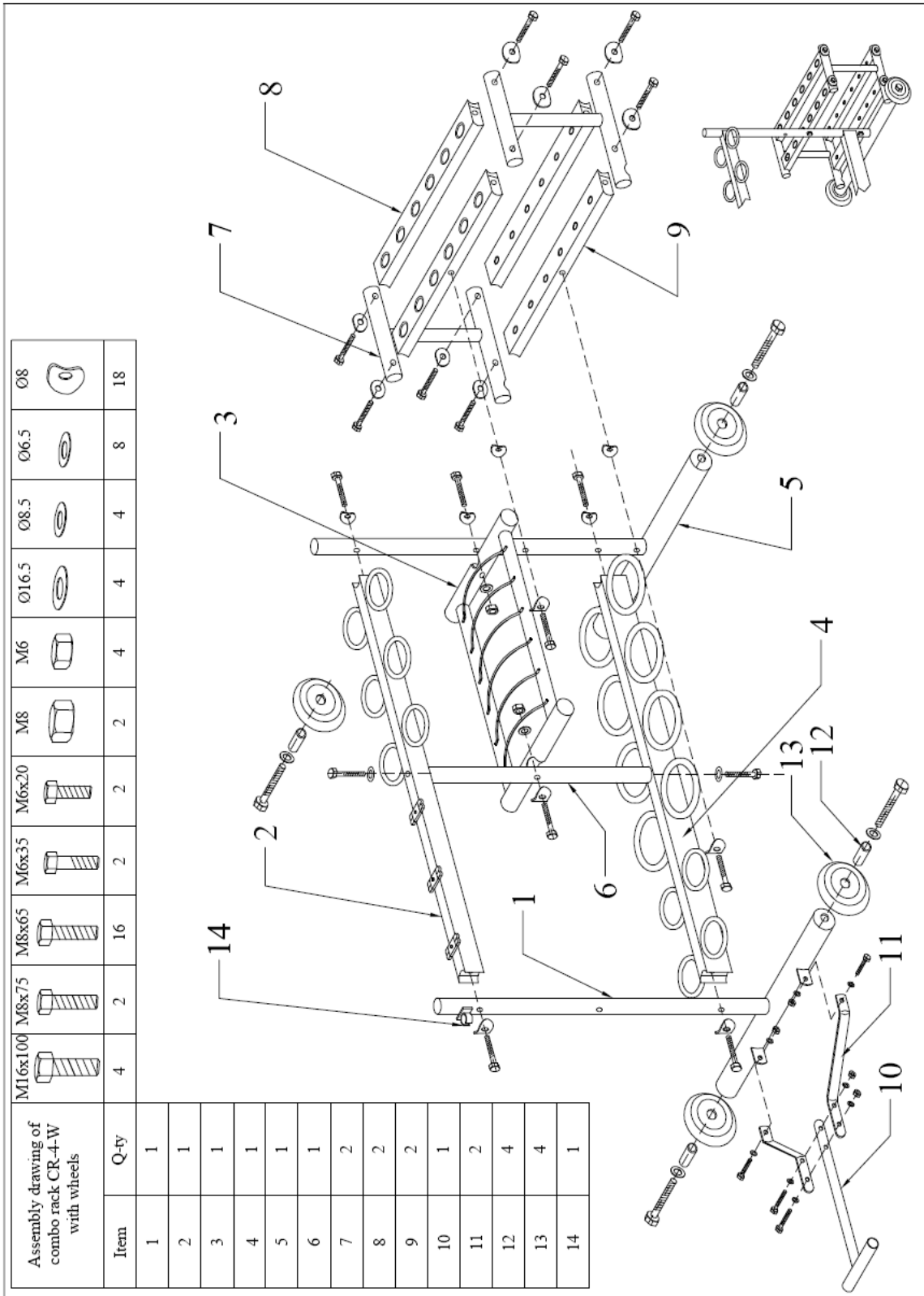












V. Operation and maintenance

Combo racks should be stored in a roofed and dry place.

Even the best technical solutions cannot substitute for common sense. The usage of the product must take place under the supervision of qualified sport facilities staff. The producer shall not be liable for any incidents caused by the product's misuse. The producer reserves the right to introduce without warning changes in product constructions and colours.

© 2016 Polanik Sp. z o. o.

VI. Declaration

1) No. 2016-06-06

2) Issuer's name: POLANIK Sp. z o. o.

Issuerr's address: Życzliwa 11, 97-300 Piotrków Tryb.

3) Objects of declaration:

4) Technical specification described above is in accordance with the factory's internal engineering standard.

No.	Name	Code
1	Stationary combo rack	CR-3d
2	Combo rack on wheels	CR-3d-W
3	Stationary combo rack	CR-3s
4	Combo rack on wheels	CR-3s-W
5	Stationary combo rack	CR-4
6	Combo rack on wheels	CR-4-W

Additional information

5) The declaration was made for:

Purchaser and User

The declaration was signed on behalf and with authorization:

POLANIK Spółka z Ograniczoną Odpowiedzialnością

2016-06-06 Piotrków Tryb.

(Date and place)

Paweł Ciechanowski

Product manager

6)

(Name, function)



.....
(Signature or it's equivalent authorized by the Exhibitor)