

TECHNICAL SPECIFICATION
Performance board 9-digits
T9-S271

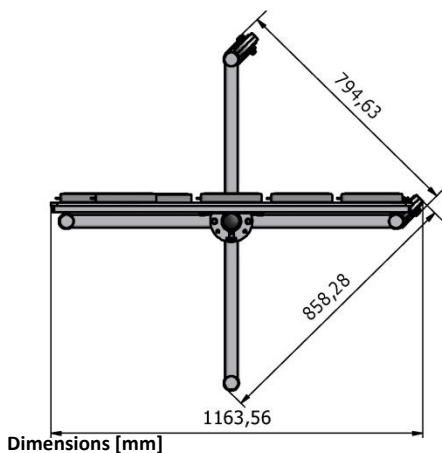
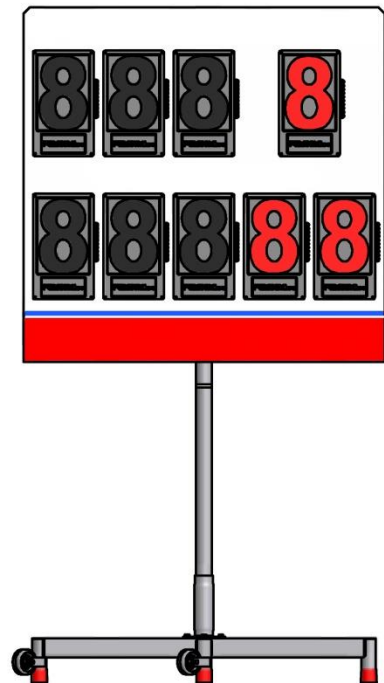
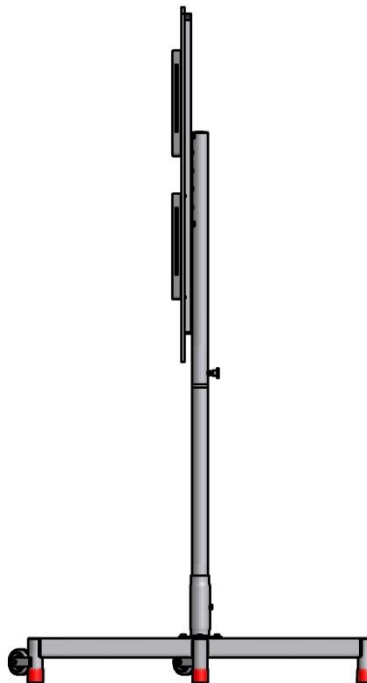
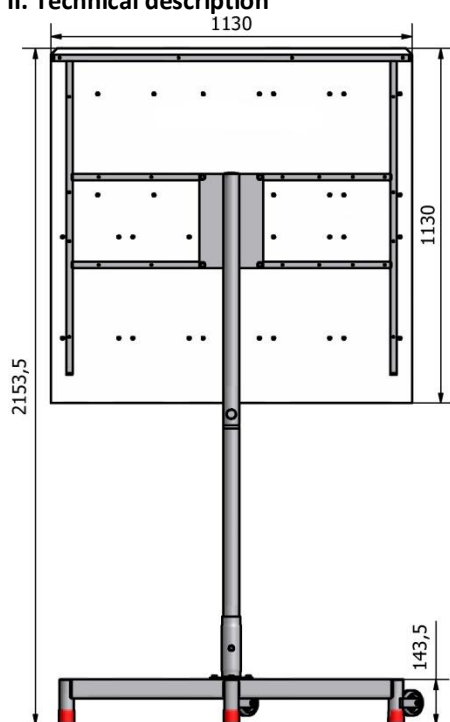


I. General description and use

The performance board T5-S271 is used to show number of competitor, attempt and results during track events and trainings. Main features:

- Innovative construction - consist of elements, which are easy to assembly, transport and store,
- Simple operating – possibility of fast assembly and easy setup required number on digital plastic units,
- High durability and quality – all metal elements are made of powder painted steel. Other elements and digital plastic units are made of high class, weatherproof materials,
- Possibility of exchange used elements.

II. Technical description



Dimensions [mm]

Code	T9-S271
Type	9-digits
Number of components	3
Board	Waterproof plate of foamed PVC with a thickness of 10mm
Cartridges numeric	Plastic, switched manually, easy to replace
Supporting structure	Steel, powder painted, two segments linked together with synthetic connector, 360° board rotation, equipped with blocking screw
Base	Steel, powder painted, equipped with wheels for rolling
Weight [kg]	~43

III. Operating and maintenance

Attention! Digital plastic units are equipped with self-locking handles for changing digits. Only 2 or 3 handles should be slid at a time – that guarantees a failure-free operation for a long time. After each use the product should be cleaned and stored in dry, roofed place. Performance board has special wheels to transportation. Dirt remove with wet dishrag and mild detergent. Damages of protective coating fill with metal paint.



IV. Packing and transport

The product is packed in foil and carton box dimensions 1300 x 1200 x 230 [mm].

Even the best technical solutions cannot substitute for common sense. The usage of the product must take place under the supervision of sports facility technical staff. The producer shall not be liable for any incidents caused by the improper assembly or its misuse. The producer reserves the right to introduce without warning changes in product constructions and colours.

© 2016 Polanik

V. Declaration

1) No. 2016-08-02

2) Issuer's name: POLANIK

Issuer's address: Życzliwa 11, 97-300 Piotrków Tryb.

3) Objects of declaration

No.	Name	Code
1	Performance board, 9-digits	T9-S271

4) Technical specification described above is in accordance with the factory's internal engineering standards.

Additional Information

5) Declaration for:

Buyer/Distributor/User

Signed for and in behalf for:

POLANIK Spółka z Ograniczoną Odpowiedzialnością

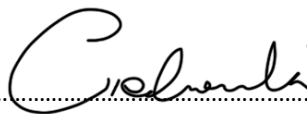
2016-08-02 Piotrków Tryb.

(Date and place of issue)

6) Paweł Ciechanowski

Product Manager

(Name, function)



.....
(Signature or equivalent authorized by the issuer)