

TECHNICAL SPECIFICATION/INSTRUCTION MANUAL

Javelin head circle

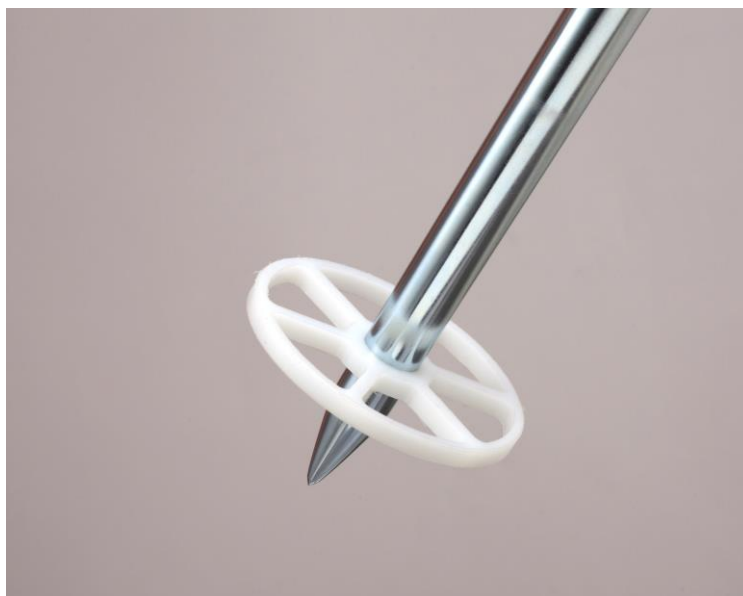


File: 2016-06-09

TECHNICAL SUPPORT
Paweł Ciechanowski
p.ciechanowski@polanik.com

I. Use

Made of synthetic material, light construction, allows you to throw javelin In sports halls with nets.



II. Technical specification

Code	NG-500	NG-600	NG-700	NG-800
Description	head circle for 500 g javelins	head circle for 600 g javelins	head circle for 700 g javelins	head circle for 800 g javelins
Material	synthetic material			
Colour	white			
Net weight [kg]	0,20			
Gross weight [kg]	0,25			

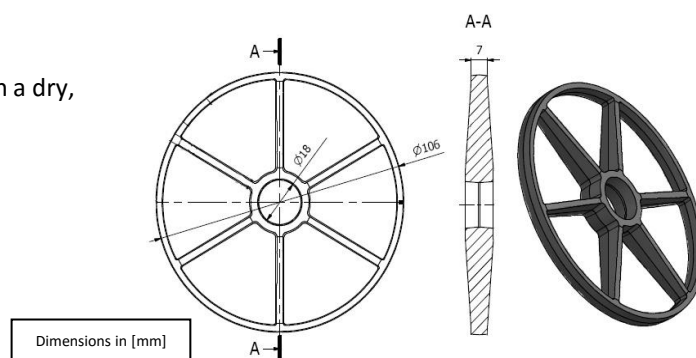
III. Maintenance

After each use the product should be cleaned and stored in a dry, roofed place.

IV. Packing and transport.

The product is packed in foil.

PRODUCT SUPPORT
Paweł Ciechanowski
p.ciechanowski@polanik.com



Even the best technical solutions cannot substitute for common sense. The usage of the product must take place under the supervision of sports facility technical staff. The producer shall not be liable for any incidents caused by the improper assembly or its misuse. The producer reserves the right to introduce without warning changes in product constructions and colours.

© 2016 Polanik