

TECHNICAL SPECIFICATION ASSEMBLY MANUAL

Training hurdles one-piece steel with padded top bar

PP16-S503



File: 2017-07-26

TECHNICAL SUPPORT

Paweł Ciechanowski

p.ciechanowski@polanik.com

Thank you for choosing Polanik training hurdles

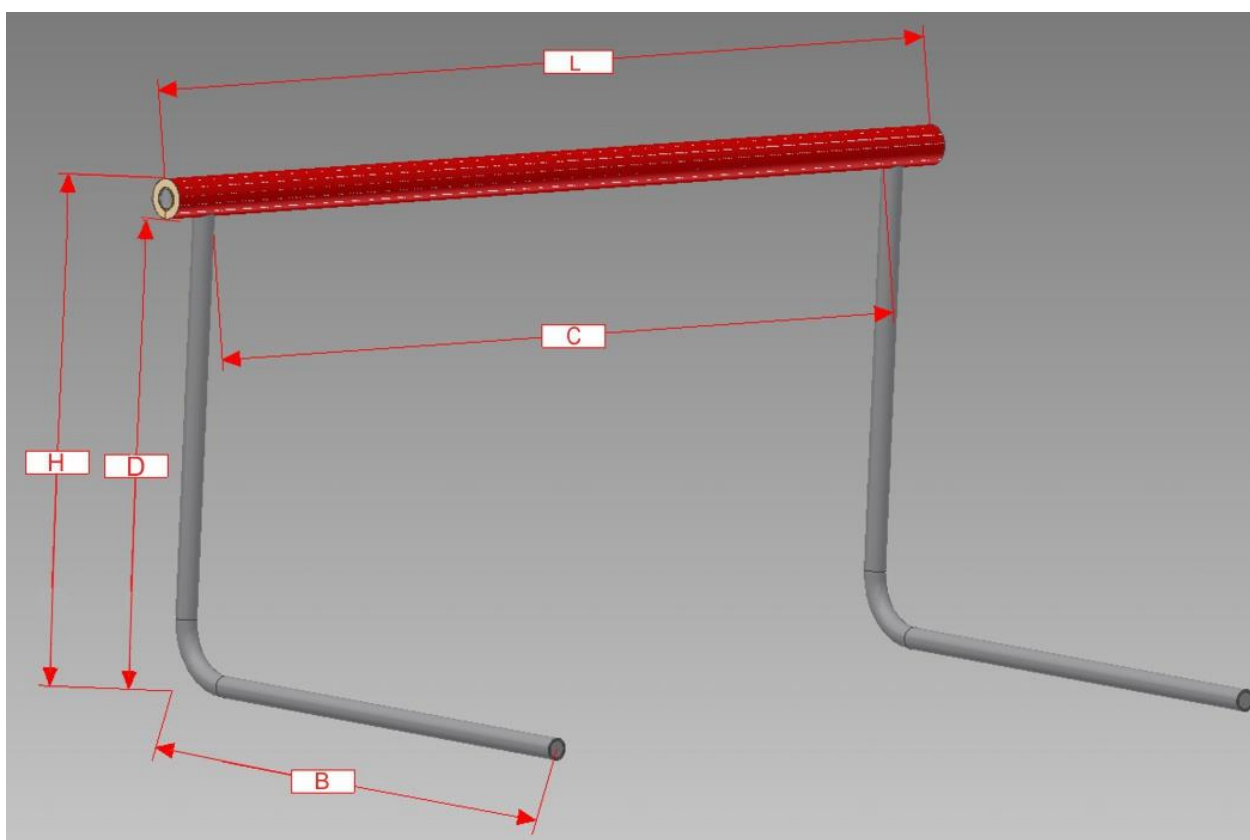
I. General description and use

Hurdles are designed for athletic training with a wide range of exercisers. Safe top bar with soft lining protects against injuries and simple construction makes easy operation and maintenance.



II. Technical specification

Code	PP16-S503
Type	training, one-piece steel
Top bar	steel, with soft lining, length 1000 mm
Frame	steel, powder painted
Length L [mm]	1000
Inner length C [mm]	880
Height. H [mm]	510
Inner height D [mm]	470
Width B [mm]	575
Net weight [kg]	2,9



III. Assembly

The hurdles are delivered in one part and ready to use immediately

IV. Packing and transport

The hurdles are placed on pallets.

V. Remarks on operation and maintenance

Using hurdles on hard surface could damage powder coating and lead to corrosion. Losses in coating should be completed with lacquer.

The hurdles must be stored in a roofed and dry place. They do not require any special maintenance measures apart from keeping them clean. Use commonly available cleaning agents. Before you start wiping the top bar covering, please try to clean a small spot on its bottom side in order to check the reaction with the PVC fabric.

Even the best technical solutions cannot substitute for common sense. The usage of the product must take place under the supervision of qualified coaches. The producer shall not be liable for any incidents caused by the improper assembly or its misuse. The producer reserves the right to introduce without warning changes in product constructions and colours.

VI. Declaration

1) No. 2017-07-26

2) Issuer's name: POLANIK

Issuer's address: Życzliwa 11, 97-300 Piotrków Tryb.

3) Objects of declaration

No.	Name	Code
1	Training hurdles one-piece steel with padded top bar	PP16-S503

4) Technical specification described above is in accordance with the factory's internal engineering standards.

Additional Information

5) Declaration for:

Buyer/Distributor/User

Signed for and in behalf for:
POLANIK

2017-07-26 Piotrków Tryb.
(Date and place of issue)

Paweł Ciechanowski
Product Manager

6)
(Name, function)



.....
(Signature or equivalent authorized by the issuer)