

TECHNICAL SPECIFICATION ASSEMBLY MANUAL

Shot put racks

SR-18

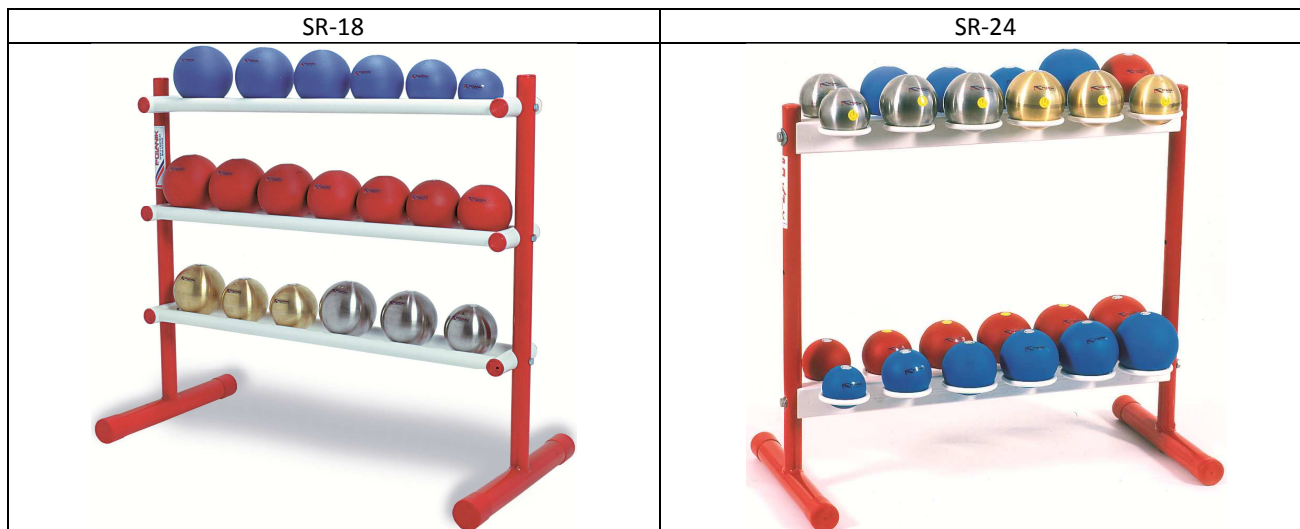
SR-24

SR-24-w



I. General description and use

Racks (SR serie) are designed for storing shot puts In storehouses or for using them during athletics competitions.



II. Technical specification



Code	Weight [kg]	Dimensions after assembly length/width/height [mm]	Material	Model	Capacity[pcs]
SR-18	8,30	820/420/760	steel powder painted	stationary	18
SR-24	10,00	820/420/760	steel powder painted	stationary	24
SR-24-W	13,16	940/510/815 (1050 with handgrip)	steel powder painted, steel galvanized	on wheels	24

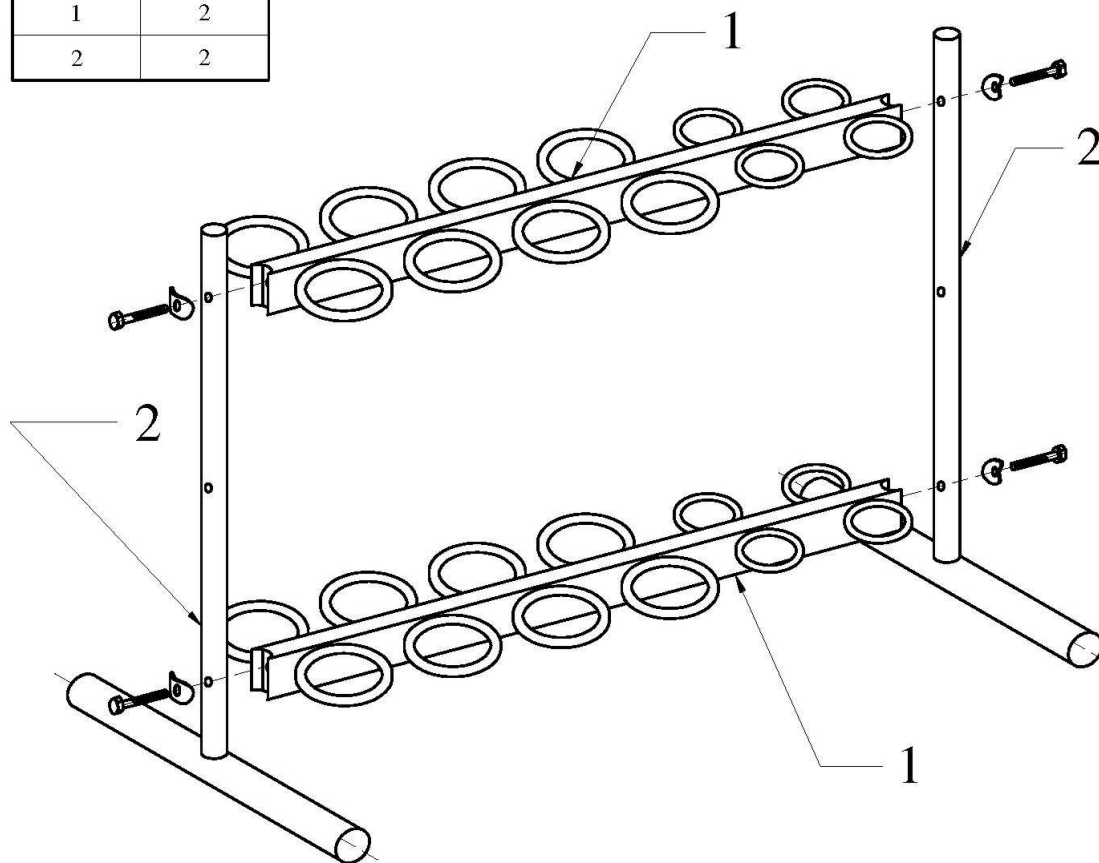
III. Packing and transport

The rack is delivered in parts, packed in a cartoon box.

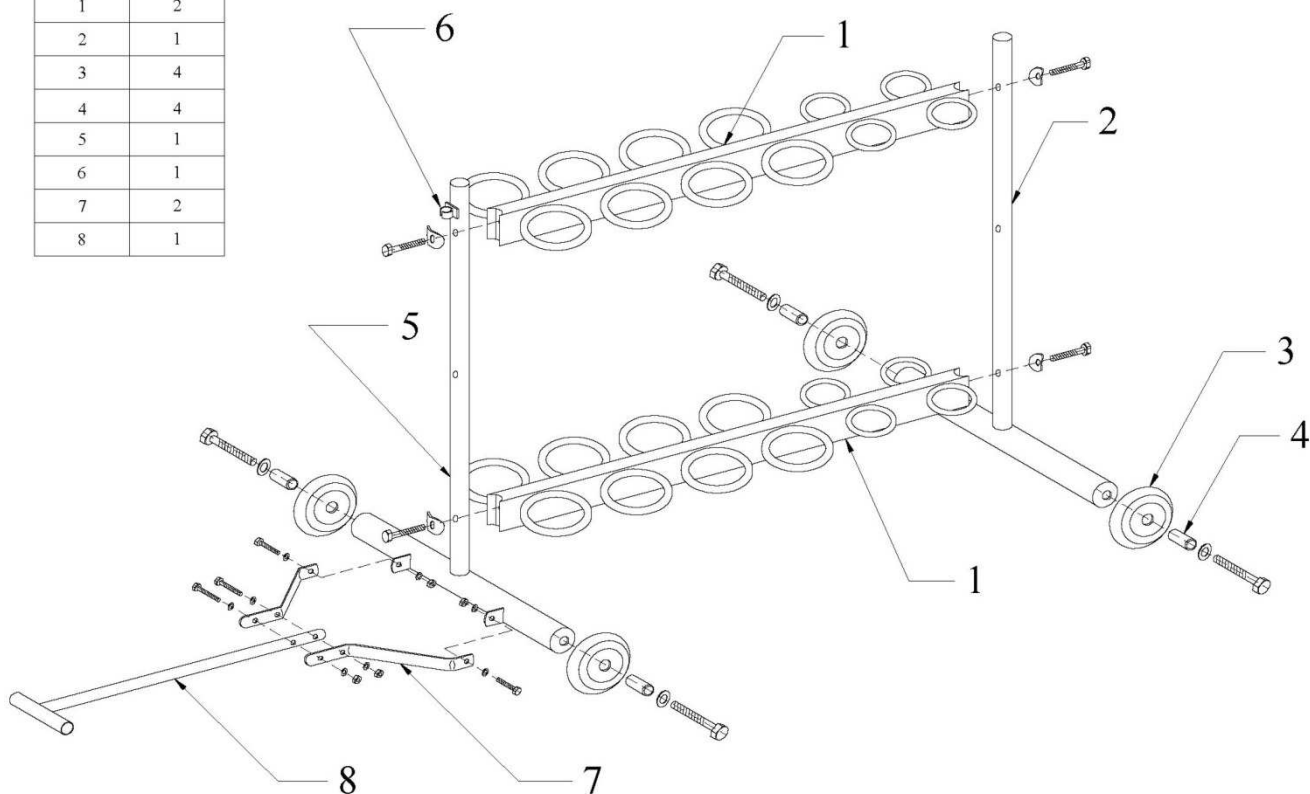
IV. Assembly

The shot put racks' parts should be screwed in the way pictures below show.

SR-24		M6x35	Ø8
Poz./Item	Szt./Pcs		
1	2	4	4
2	2		



SR-24-W		M16x100	M8x65	M6x35	M6x20	M6	Ø8	Ø16.5	Ø6.5
Poz./Item	Szt./Pcs	4	4	2	2	4	4	4	8
1	2								
2	1								
3	4								
4	4								
5	1								
6	1								
7	2								
8	1								



V. Operation and maintenance

The rack should be stored in a roofed and dry place.

Even the best technical solutions cannot substitute for common sense. The usage of the product must take place under the supervision of sports facility technical staff. The producer shall not be liable for any incidents caused by the improper assembly or its misuse. The producer reserves the right to introduce without warning changes in product constructions and colours. © 2014 Polanik

VI. Declaration

1) Nr 2014-04-17

2) Issuer's name: POLANIK Sp. z o. o.

Issuer's address: Życzliwa 11, 97-300 Piotrków Tryb.

3) Declared items

No.	Name	Code
1	Stationary shot put rack	SR-18
2	Stationary shot put rack	SR-24
3	Shot put rack on wheels	SR-24-W

4) Technical specification described above is in accordance with the factory's internal engineering standard.

Additional information

5) The declaration was made for:

Purchaser and User

The declaration was signed on behalf and with authorization:

POLANIK

2011-12-05 Piotrków Tryb.

(Date and place)

Paweł Ciechanowski

Product manager

6)

(Name, function)



.....
(Signature or its equivalent authorized by the Exhibitor)