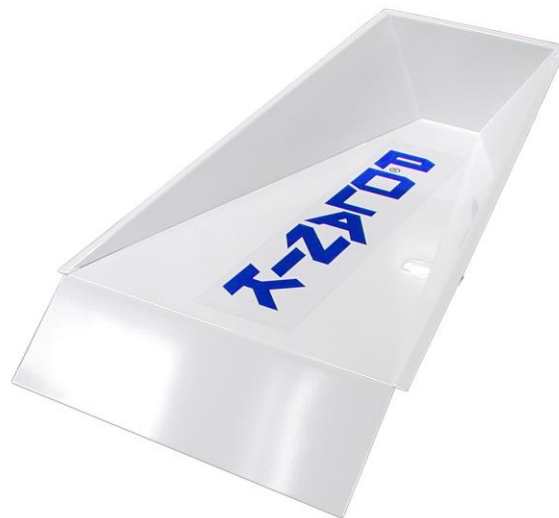


TECHNICAL SPECIFICATION INSTALLATION MANUAL

Pole vault box

PVBOX-P



File: 2016-06-09

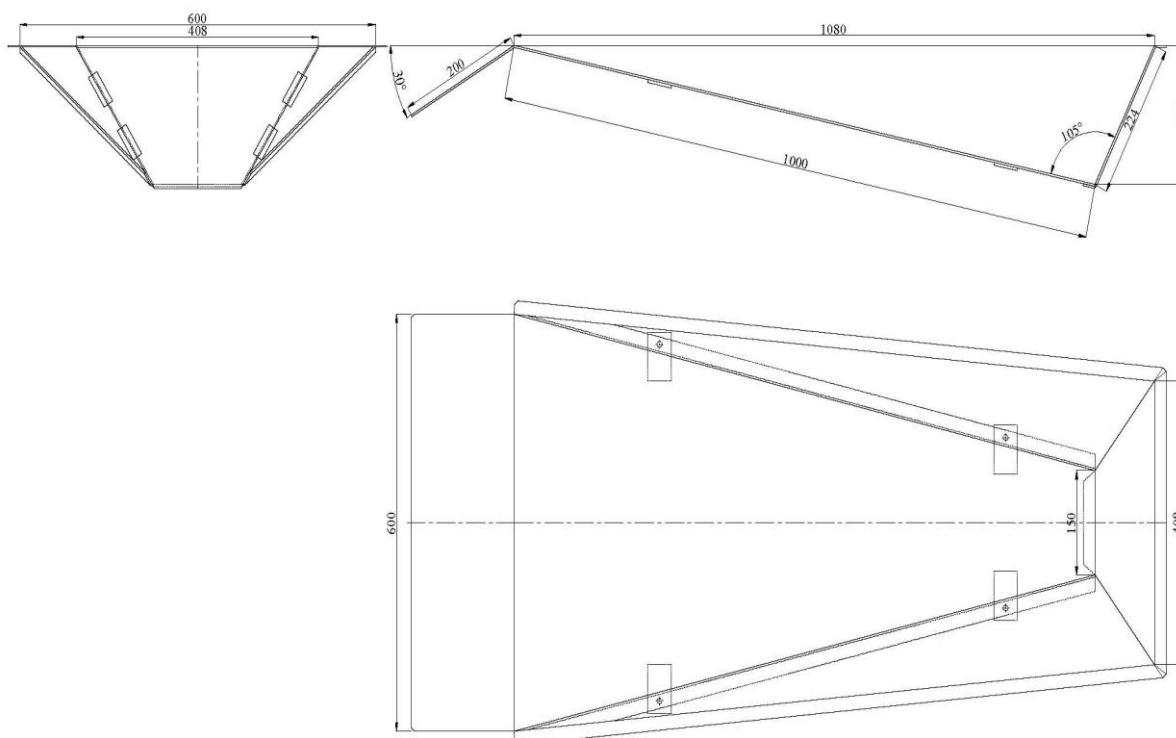
PRODUCT SUPPORT
Paweł Ciechanowski
p.ciechanowski@polanik.com

I. General description and use

PVBOX-S is a training and competition take-off box. It is designed for pole vault's athletics events in sports halls. The product main features are:

- high durability and manufacturing quality
- maintenance free – does not require any special maintenance proceedings

II. Technical specification

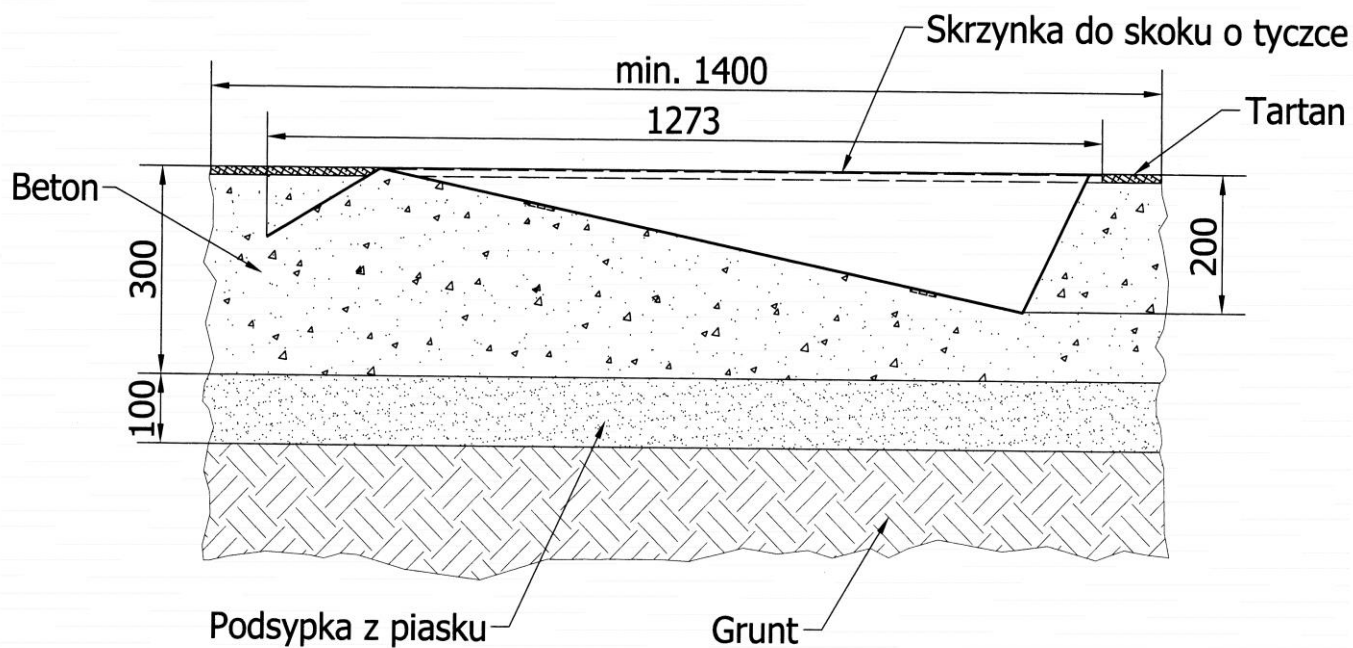


Code	PVBOX-P
Type	for pole vault in sports halls
Material	steel galvanized and powder painted
Net weight [kg]	20

Package's dimensions [m]	contents	1 pc
	length L	1,30
	width B	0,64
	height H	0,25
Volume [m³]	0,21	
Gross weight [kg]	21	

III. Assembly

PVBOX-PS is ready for embedding after delivery.

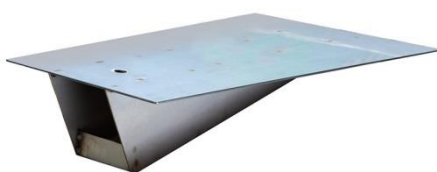


IV. Operation and maintenance

To protect it against dirt Polanik pole vault box cover made of steel galvanized and powder painted (product code **PVCOVER-S**) or Polanik pole vault box lid flush mount made of stainless steel (product code **PVLID-S**) must be used during idle periods.



PVBOX-P



PVLID-S

The inside of the box can be cleaned with commonly available detergents. The product does not require any additional maintenance proceedings. Even the best technical solutions cannot substitute for common sense. The usage of the product must take place under the supervision of qualified coaches. The producer shall not be liable for any incidents caused by the improper installation or its misuse.



V. Declaration

- 1) No. 2016-06-09
- 2) Issuer's name: POLANIK Sp. z o. o.
Issuer's address: Życzliwa 11, 97-300 Piotrkow Tryb.
- 3) Objects of declaration

No.	Name of goods	Code
1	Pole vaylt box	PVBOX-P

- 4) Technical specification described above is In accordance with the factory's internal engineering standards.

Additional Information

- 5) Declaration for:
Buyer/Distributor/User

Signed for and in behalf of:
POLANIK

2016-06-09 Piotrkow Tryb.
(Date and place of issue)

Paweł Ciechanowski
Product Manager

- 6)
(Name, function)

.....
(Signature or equivalent authorized by the issuer)