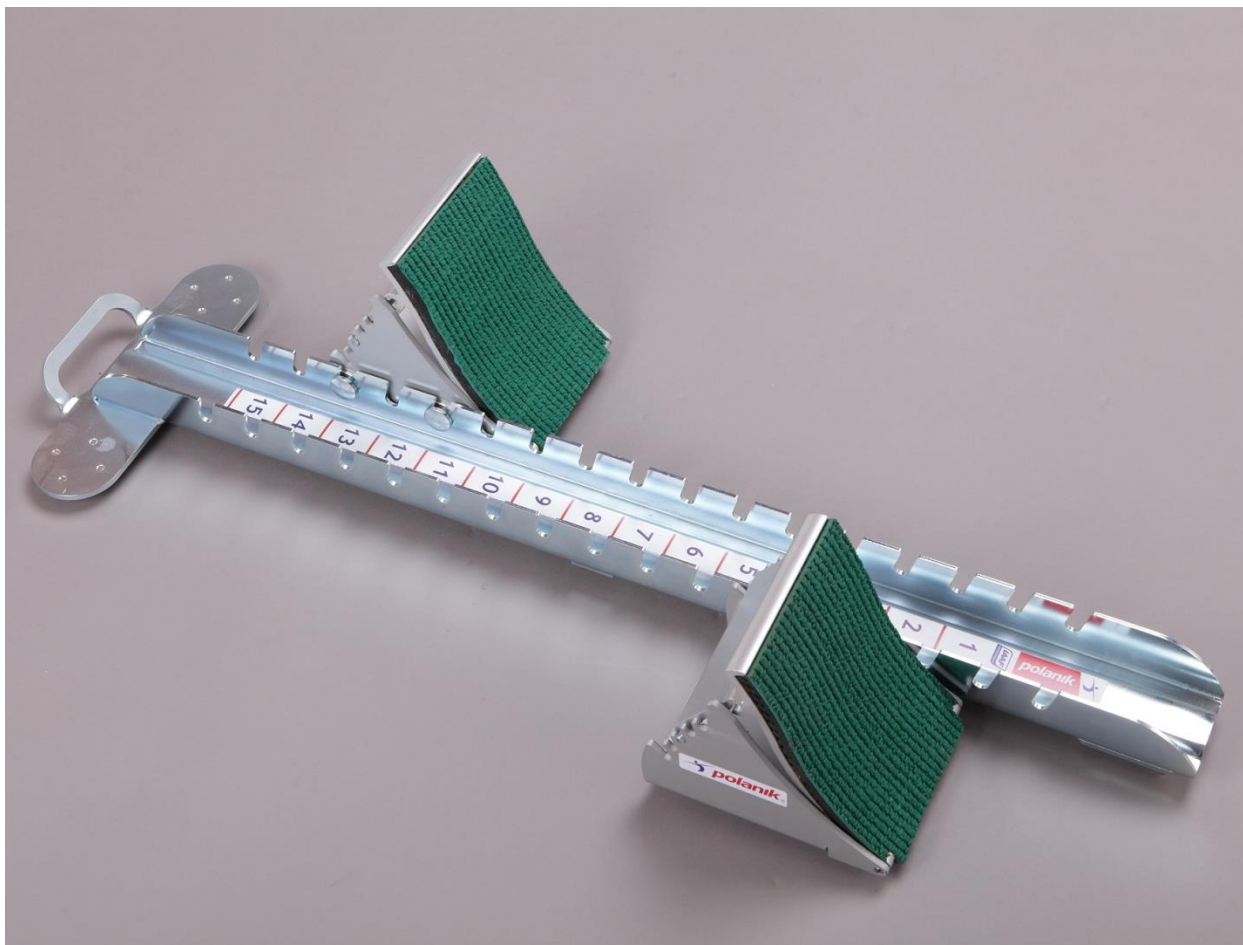


## INSTRUCTION MANUAL

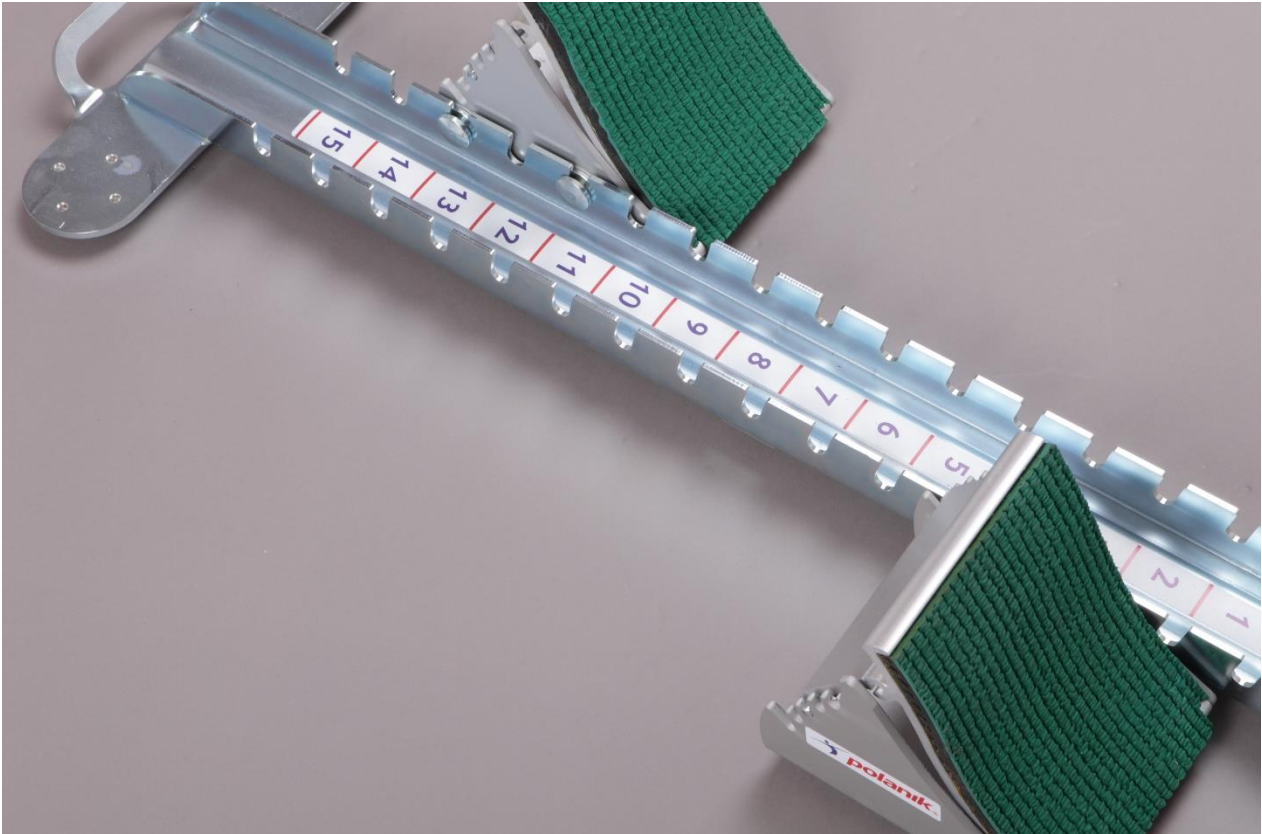
Competition steel-aluminium starting block with wide foot supports

PBS17-03

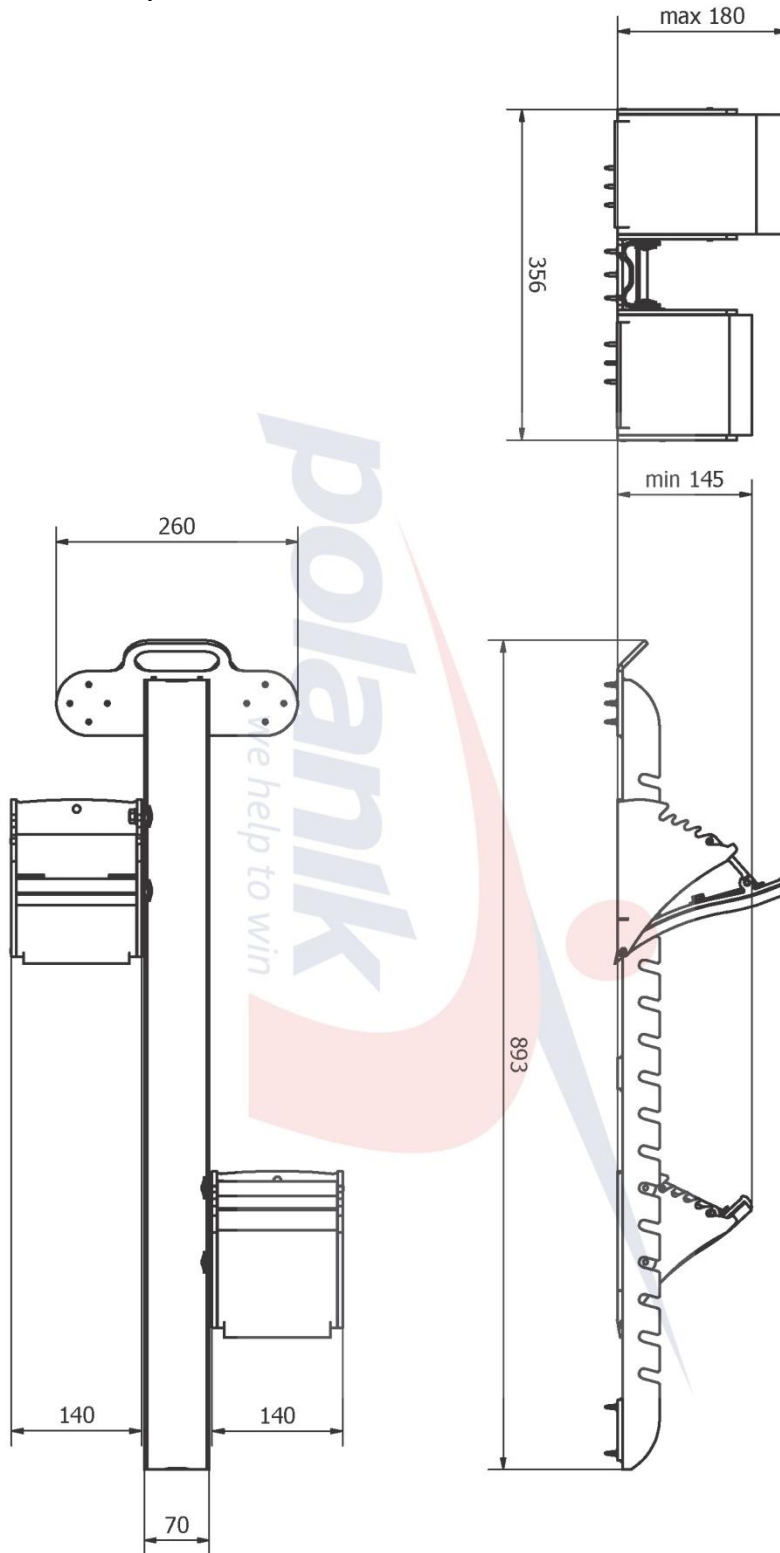


### I. General description and use

PBS17-03 is a steel-aluminium competition starting block designed for athletics track events, namely for all the races up to and including 400 m (including first leg of the 4 x 200 m, the Medley Relay and 4 x 400 m). The block construction is an economic combination of steel and aluminium. Its wide aluminium foot supports have got a special ergonomic shape and are covered with high quality synthetic track. The product offers a wide adjustment range of foot supports and their reciprocal positions. PBS17-03 can be easily equipped with electronic react time systems.



## II. Technical specification



[mm]

Code	PBS17-03
Type	competition, certified, steel-aluminium
Use on	synthetic track only
Block rail	steel galvanized, with handle, permanently marked
Casing of foot support	pressed aluminium profiles, two fastening bolts, permanently marked
Foot support	pressed aluminium profile, of ergonomic shape, with synthetic track
Adjusting lever of support inclinations	pressed aluminium profile, spring loaded
Positions of foot support	5
Positions of foot support casing	15
Net rail weight [kg]	3,66
Net foot support weight [kg]	1,54
Net block weight [kg]	6,74

### III. Packing and transport

The starting block is packed in a carton box:

Box's dimensions [m]	contents	1 pc	2 pcs
	length L	0,92	0,92
	width B	0,34	0,34
	height H	0,18	0,18
Volume [ m <sup>3</sup> ]		0,056	0,056
Gross weight [kg]		7,75	14,50

### IV. Operation and maintenance

How to change the angle of the foot support plate:



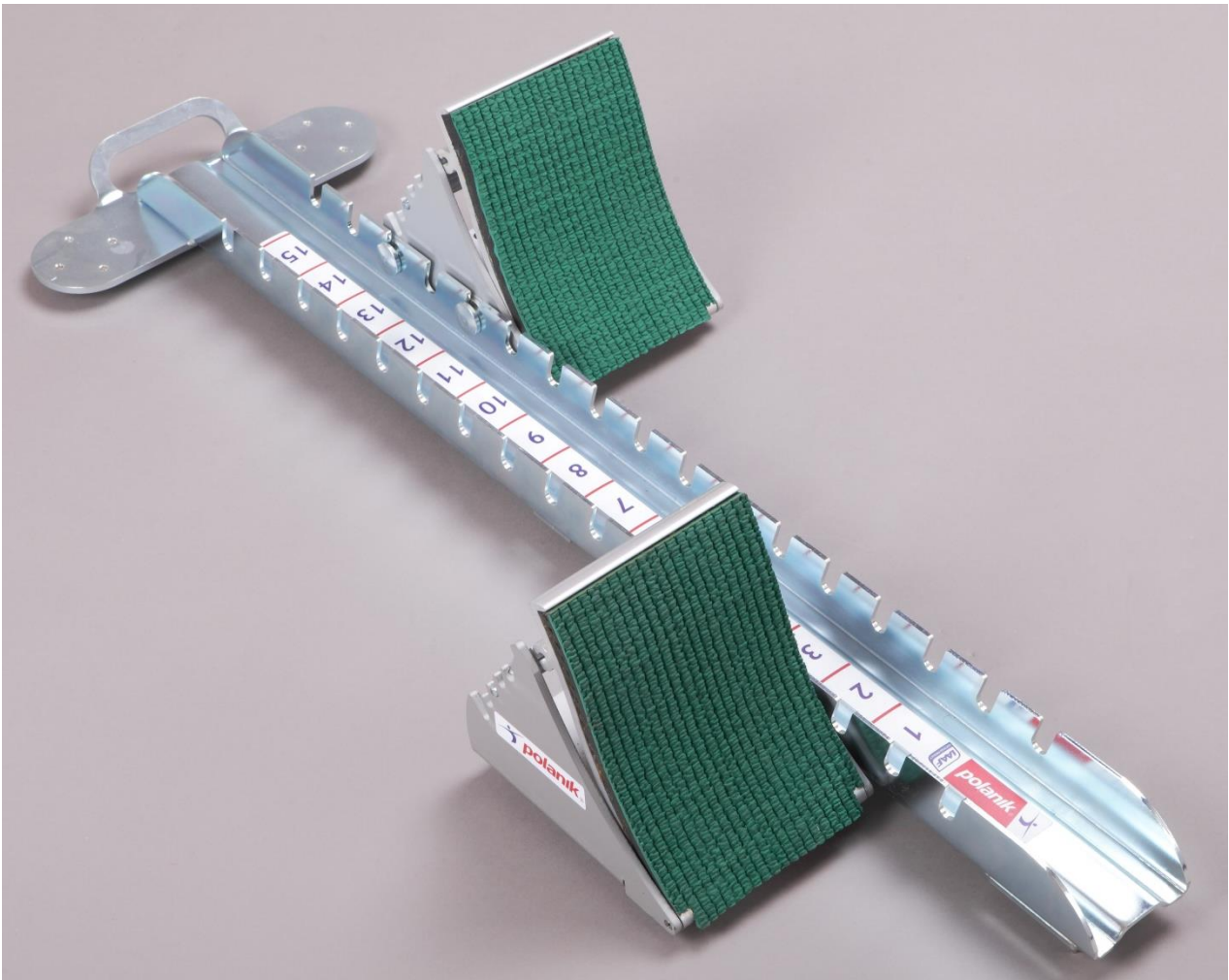
a) lift the lever,

b) and move the lever up and down to adjust the angle,

c) then release the lever to block it on the desired angle.

The starting blocks must be stored in a roofed and dry place.

## V. Product images



PBS17-03 © 2018

The producer reserves the right to introduce without warning changes in product constructions and colours.

## VI. IAAF Certificate

International Association of Athletics Federations



# Product Certificate

*The IAAF is pleased to certify hereby that the following product:*

**Product's Trade Name:** Starting blocks, Competition

**Description, Colour / Absolute Thickness:** Steel-aluminium, wide foot supports, Various

**Company Name, Country:** Polanik Sp. z o. o. - Sp. K., POL

**Catalogue Number:** PBS17-03

**IAAF Certification Number:** E-17-0910

meets the dimensional requirements for use in all international athletics competitions.

It is for the purchaser to determine the item's fitness for the purpose based on his knowledge of the local conditions and use.

**Valid from:** 1 April 2017

**Until the last day of:** April 2021

This certificate is issued in accordance with the terms and conditions of the IAAF Certification System of track and field facilities, implements and competition equipment.

  
**SEBASTIAN COE**  
IAAF President

  
**JORGE SALCEDO**  
IAAF Technical Committee Chairman

