

TECHNICAL SPECIFICATION **INSTALLATION MANUAL**

Modular pole vault box "2 in 1"

PVBOX14-M



File: 2014-12-02

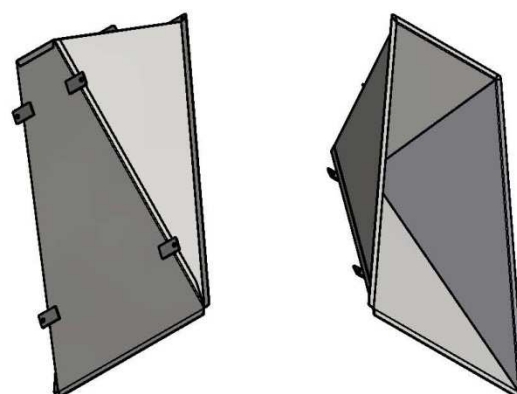
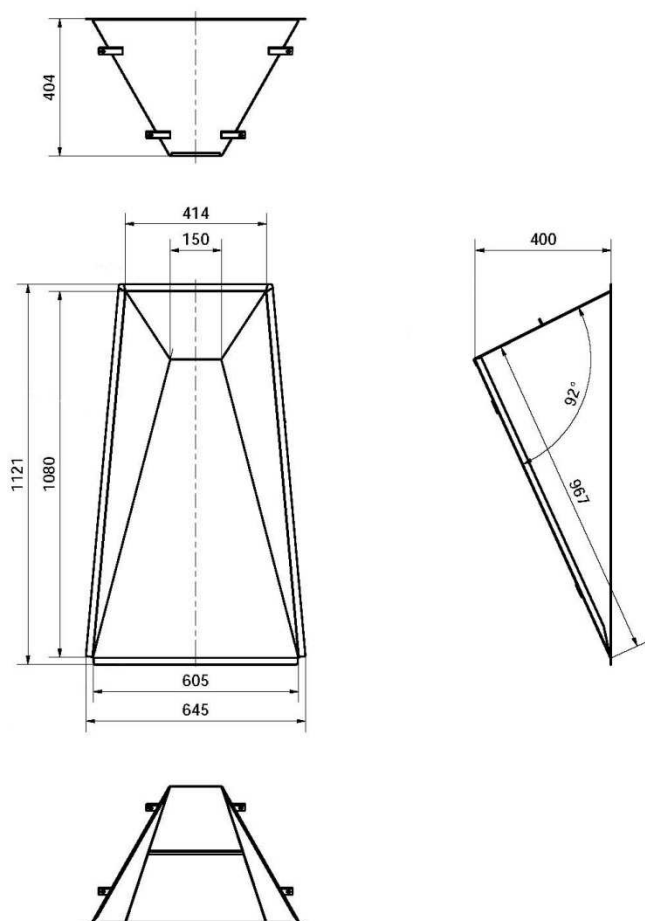
PRODUCT SUPPORT
Paweł Ciechanowski
p.ciechanowski@polanik.com

I. General description and use

PVBOX14-M is the competition pole vault box set which consists of two boxes, one is designed especially for training and the other one is for competitions PVBOX14-N. The training box PVBOX14-T, which is put into the concrete foundation, is deeper than a standard competition pole vault box. The deeper box helps athletes to develop a correct technique of putting the vaulting pole. The training box works also as an installation base to fasten the competition box.

II. Technical specification

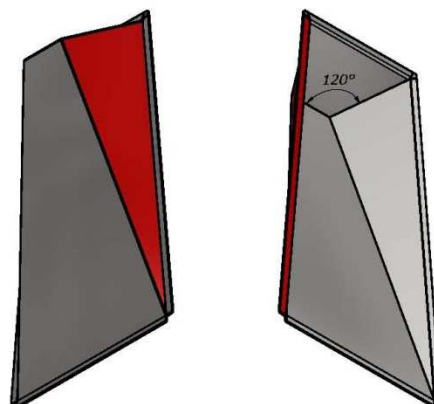
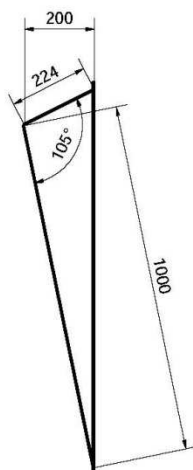
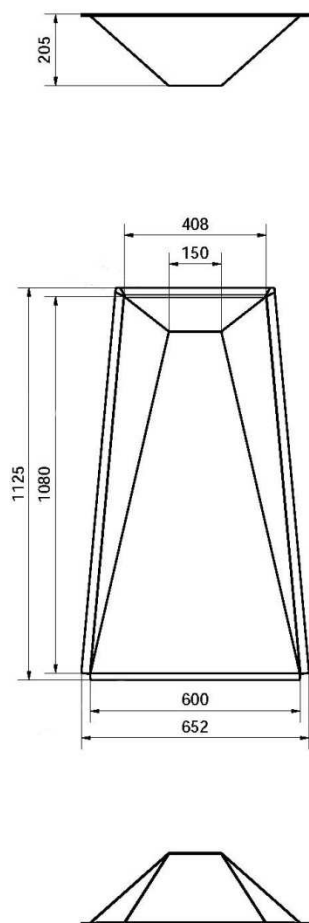
Code	PVBOX14-M
Type	competition and training "2 in 1"
Set elements	PVBOX14-N (IAAF no E-14-0818) = 1pc; PVBOX14-T = 1pc
Material	stainless steel
Training box PVBOX14-T	depth 400 mm, to be embedded in concrete
Competition box PVBOX14-N	depth 200 mm, to be installed in the training box with stainless steel screws



Training box PVBOX14-T

[mm]





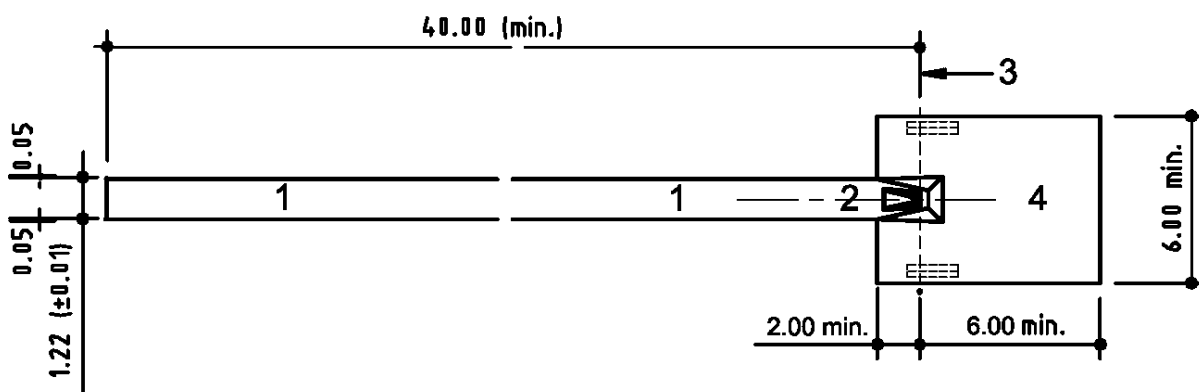
Competition box PVBOX14-N

[mm]



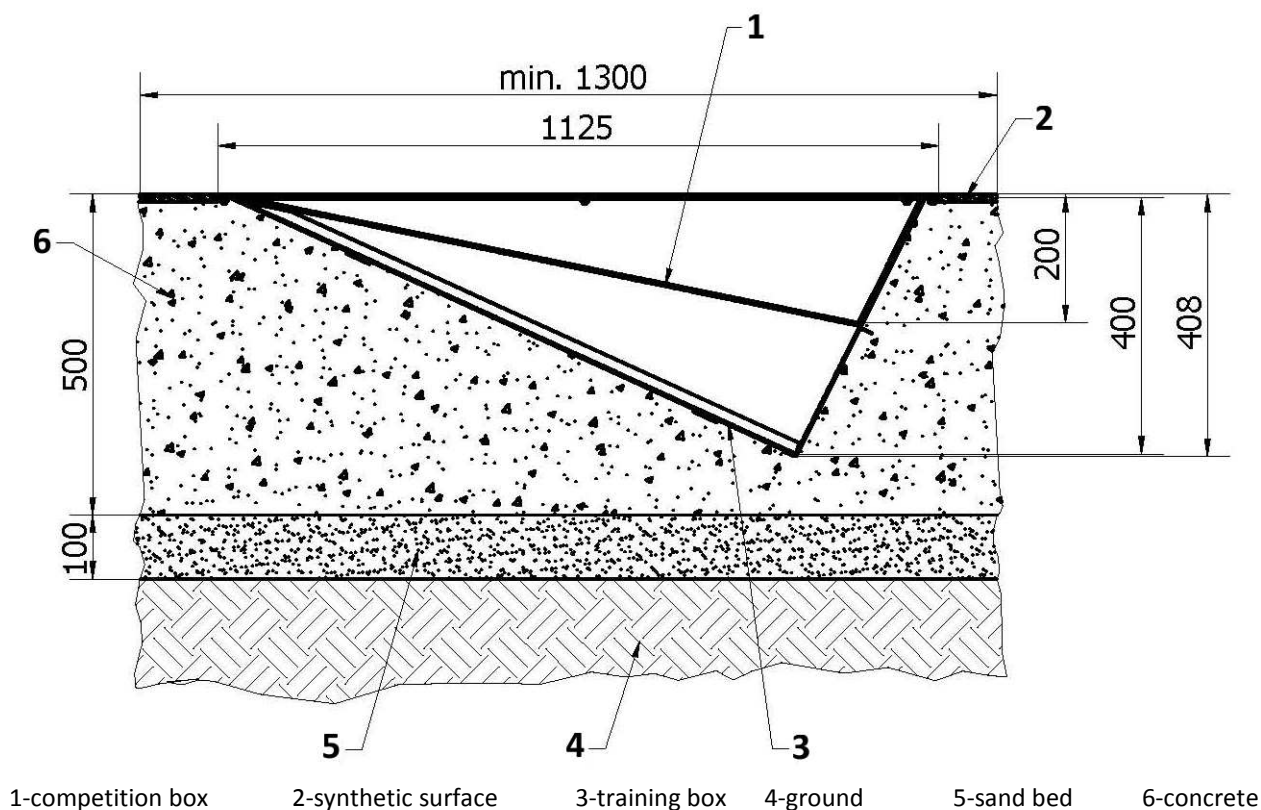
III. Installation

The training box (deeper one with special handles to block in concrete) is ready for embedding after delivery. According to the rules of the International Association of Athletics Federations (IAAF) the box (2) should be mounted in the distance of 40 metres measured from the beginning of the runway (1) to the 0-line (3) – see the drawing below.



Pole Vault runway, dimensions in [m]

Before embedding please make sure that the competition box is screwed to the training box. The top surface of the modular box edges is on the same level as the synthetic surface of the runway (see the drawing below).



1-competition box 2-synthetic surface 3-training box 4-ground 5-sand bed 6-concrete

PVBOX14-M installed in the runway, dimensions in [mm]

IV. Operation and maintenance

The box that is installed outdoor is subject to unfavourable weather conditions. Therefore to protect it against dirt Polanik pole vault box cover (product code PVCOVER-S, see image below) or Polanik pole vault box lid flush mount (product code PVLID-S, see image below) must be used during idle periods.



PVCOVER-S



PVLID-S

The inside of the box can be cleaned with commonly available detergents. The product does not require any additional maintenance proceedings.

Even the best technical solutions cannot substitute for common sense. The usage of the product must take place under the supervision of qualified coaches. The producer shall not be liable for any incidents caused by the improper installation or its misuse.

V. IAAF certificate

International Association of Athletics Federations



Product Certificate

*The IAAF is pleased to certify hereby
that the following product:*

Product's Trade Name: Fixed equipment, Pole Vault box Competition

Description, Colour / Absolute Thickness: Stainless steel, mounted on training box, Metal

Company Name, Country: Polanik Sp. z o. o., POL

Catalogue Number: PVBOX14-N

IAAF Certification Number: E-14-0818

meets the dimensional requirements for use in all international athletics competitions.

It is for the purchaser to determine the item's fitness for the purpose based on his knowledge of the local conditions and use.

Valid from: 1 December 2014

Until the last day of: December 2018

This certificate is issued in accordance with the terms and conditions of the IAAF Certification System of track and field facilities, implements and competition equipment.


ESSAR GABRIEL
IAAF General Secretary


JORGE SALCEDO
IAAF Technical Committee Chairman

