

POLANIK  
Poland, Życzliwa 11  
97-300 Piotrków Trybunalski

tel. +48 44 646 44 81  
tel. +48 44 648 50 89  
fax +48 44 646 43 58

e-mail: [info@polanik.com](mailto:info@polanik.com)  
[www.polanik.com](http://www.polanik.com)



## TECHNICAL SPECIFICATION/ USER MANUAL

### Crossbar placers WT-5



File: 2016-06-08

PRODUCT SUPPORT  
Pawel Ciechanowski  
[p.ciechanowski@polanik.com](mailto:p.ciechanowski@polanik.com)

### I. General description

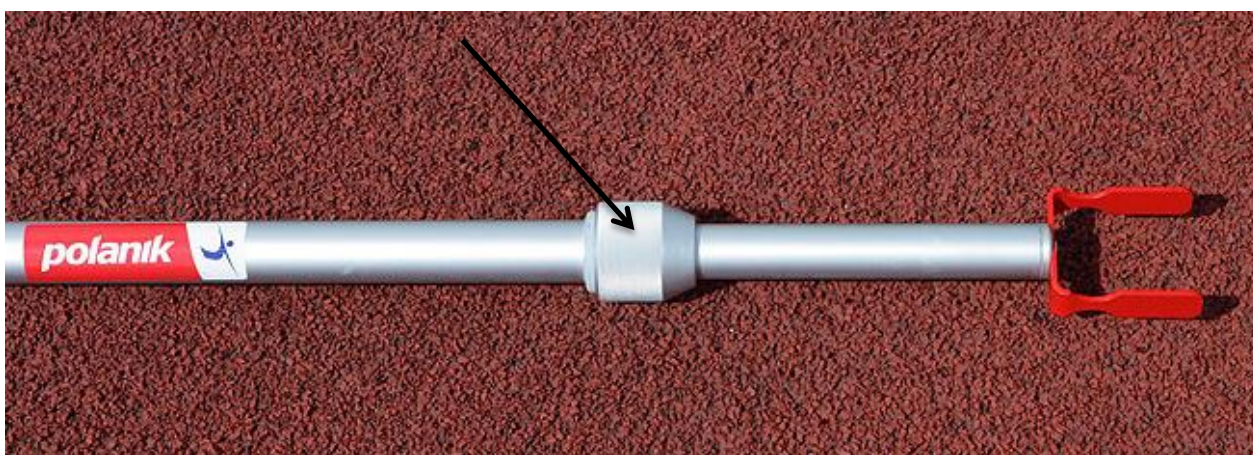
Crossbar placers are used for placing the crossbar on pegs while the pole vault competition. The product can also be used during training.

### II. Technical specification

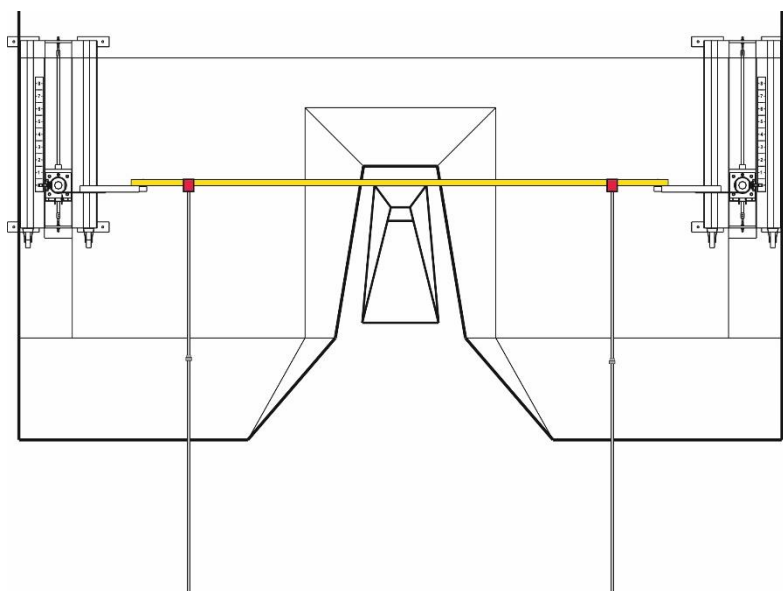
Set of 2 crossbar placer, length 2,7 - 5 m, lightweight and durable telescopic structure made of anodized aluminum tubes, length adjustment in the range of 2.7 - 5 m .

### III. General use

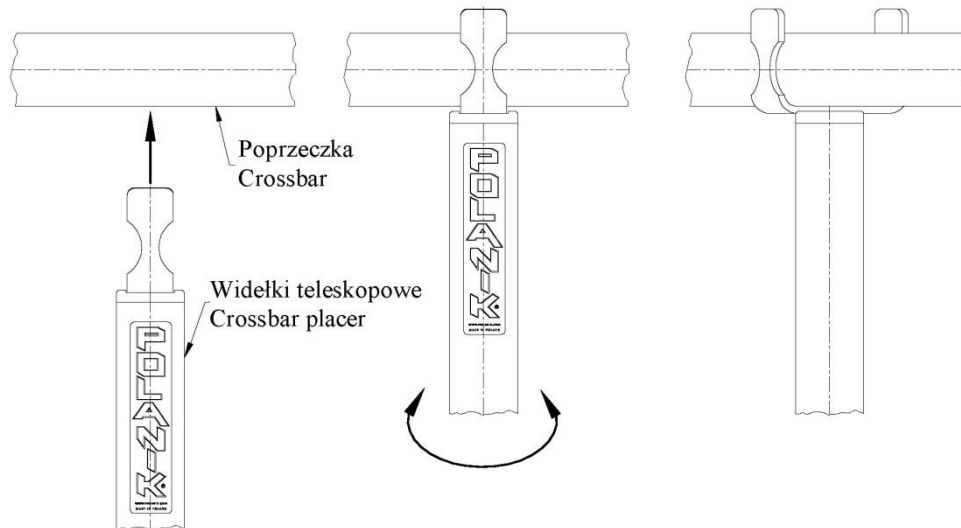
Turn the lock ring to the left to adjust the length of the crossbar placer.



Come with the crossbar placer perpendicular to the crossbar.



Slide the crossbar placer on the crossbar, turn it to the left or right to lock it on the crossbar, raise the crossbar and place it on the pegs, then unlock the crossbar placer turning it in the opposite direction.



#### IV. Packing and transport

The crossbar placer are packed in foil.



#### V. Declaration

- 1) No. 2016-06-08
- 2) Issuer's name: POLANIK Sp. z o. o. – S.K.  
Issuer's address: Życzliwa 11, 97-300 Piotrków Tryb.
- 3) Objects of declaration

No.	Name	Code
1.	Crossbar placers	<b>WT-5</b>

- 4) Technical specification described above is in accordance with the factory's internal engineering standard.

#### Additional information

- 5) The declaration was made for:

Purchaser and User

The declaration was signed on behalf and with authorization:

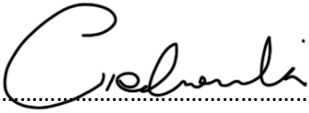
POLANIK

2016-06-08 Piotrków Tryb.

(Date and place)

Pawel Ciechanowski  
Product manager

- 6) .....
- (Name, function)

  
.....  
(Signature or it's equivalent authorized by the Exhibitor)