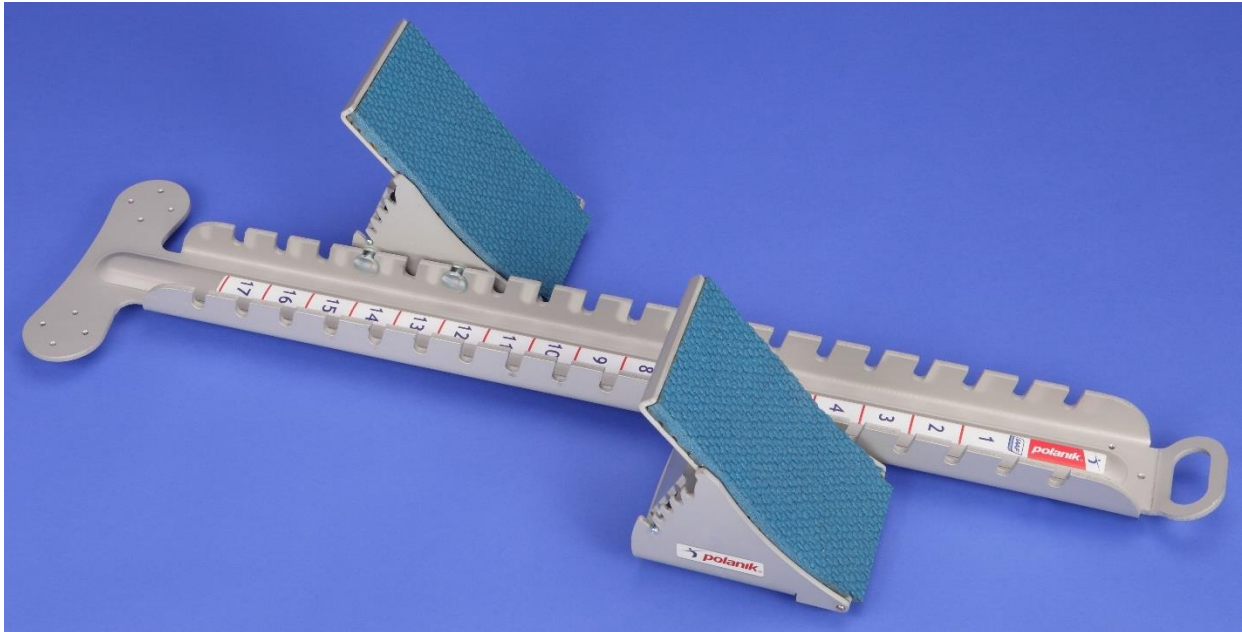


TECHNICAL SPECIFICATION

Premium Line competition aluminium starting block

PBS14-04



File: 2018-12-20
PRODUCT SUPPORT
Paweł Ciechanowski
p.ciechanowski@polanik.com



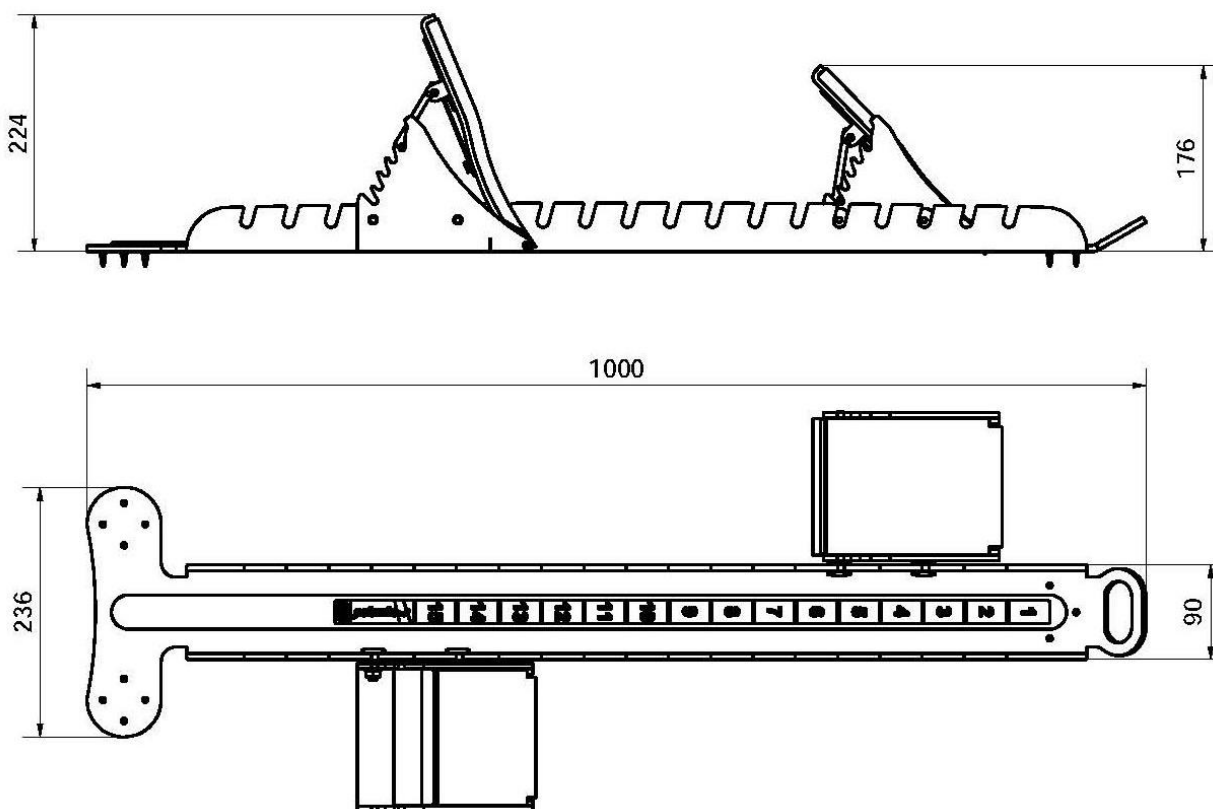
I. General description and use

The premium competition block PBS14-04 is designed for high level competitions. PBS14-04 is a landmark product for the athletics track events. The main unique features are:

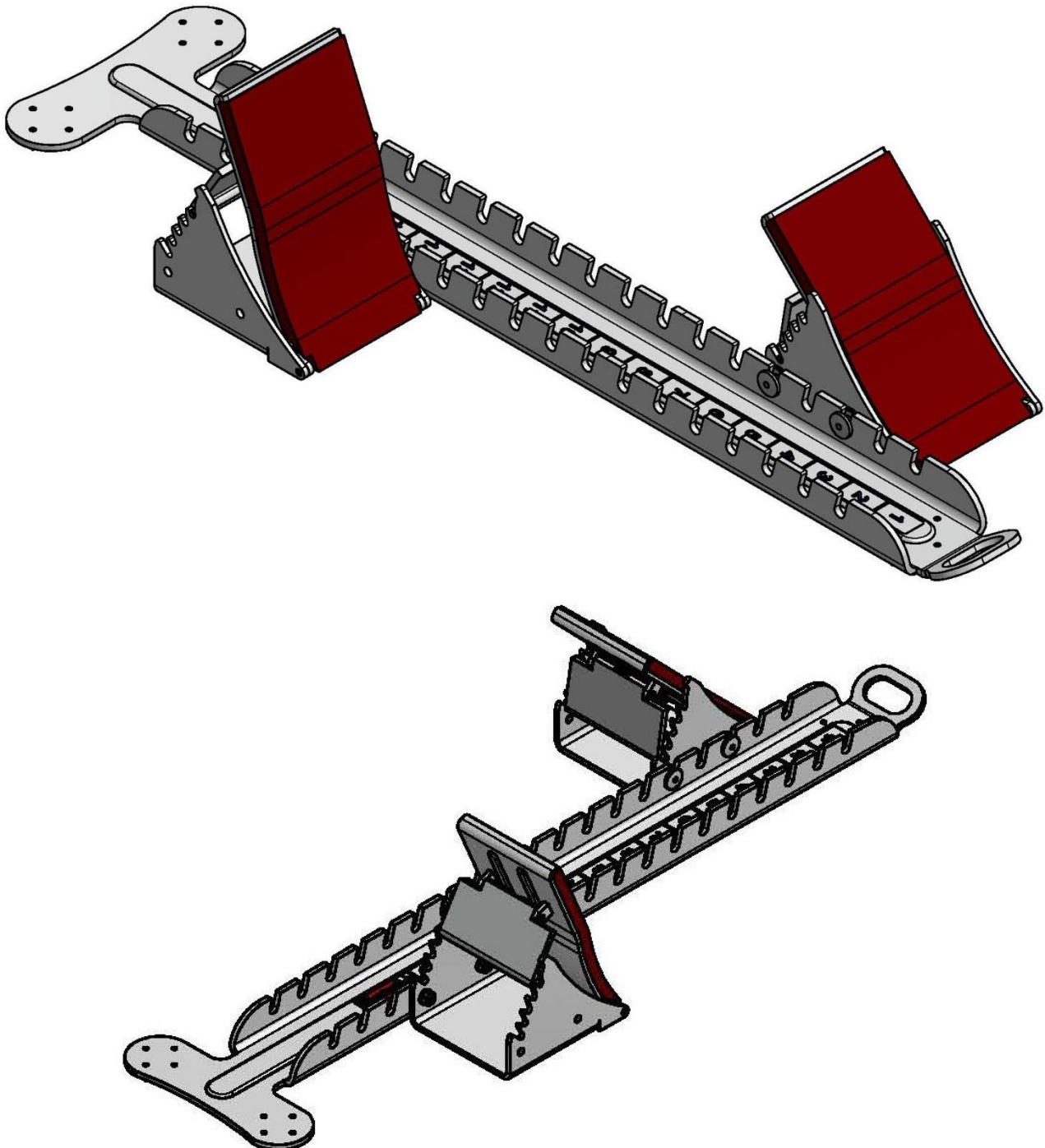
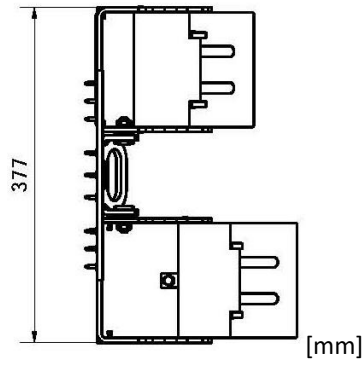
- the block rail is made of one aluminium sheet element which is cut out accurately on a modern laser cutting machine
- the wide and high ergonomic foot supports are also made of anodized aluminium
- the block is permanently marked with the Polanik logo and the IAAF certified sign

II. Technical specification

Code	PBS14-04
Type	certified, premium competition aluminium
Use on	synthetic track only
Block rail	anodized aluminium one-piece, with handle, 17 support positions, dedicated point of mounting Lynx® false start detection system
Foot supports	anodized aluminium profile, two steel galvanized fastening bolts, 5 inclinations, spring loaded
Foot support shape	wide and high ergonomic shape with synthetic track
Net weight [kg]	5,4

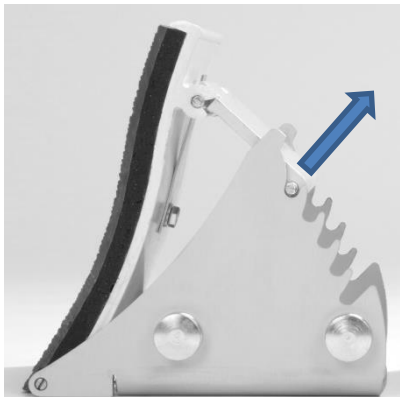


[mm]



III. Operation and maintenance

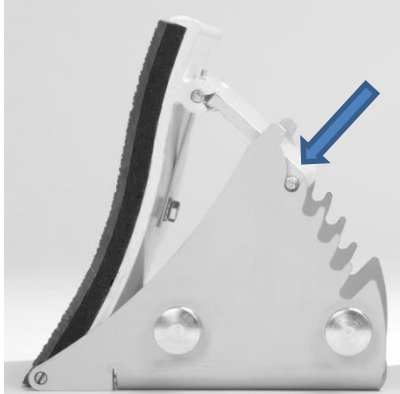
How to change the angle of the foot support plate:



a) lift the lever,



b) and move the lever up and down to adjust the angle,



c) then release the lever to block it on the desired angle.

False start system installation:



The block is equipped with dedicated points of mounting false start detection system of Lynx®.

The starting blocks must be stored in a roofed and dry place. The product does not require any special maintenance proceedings.

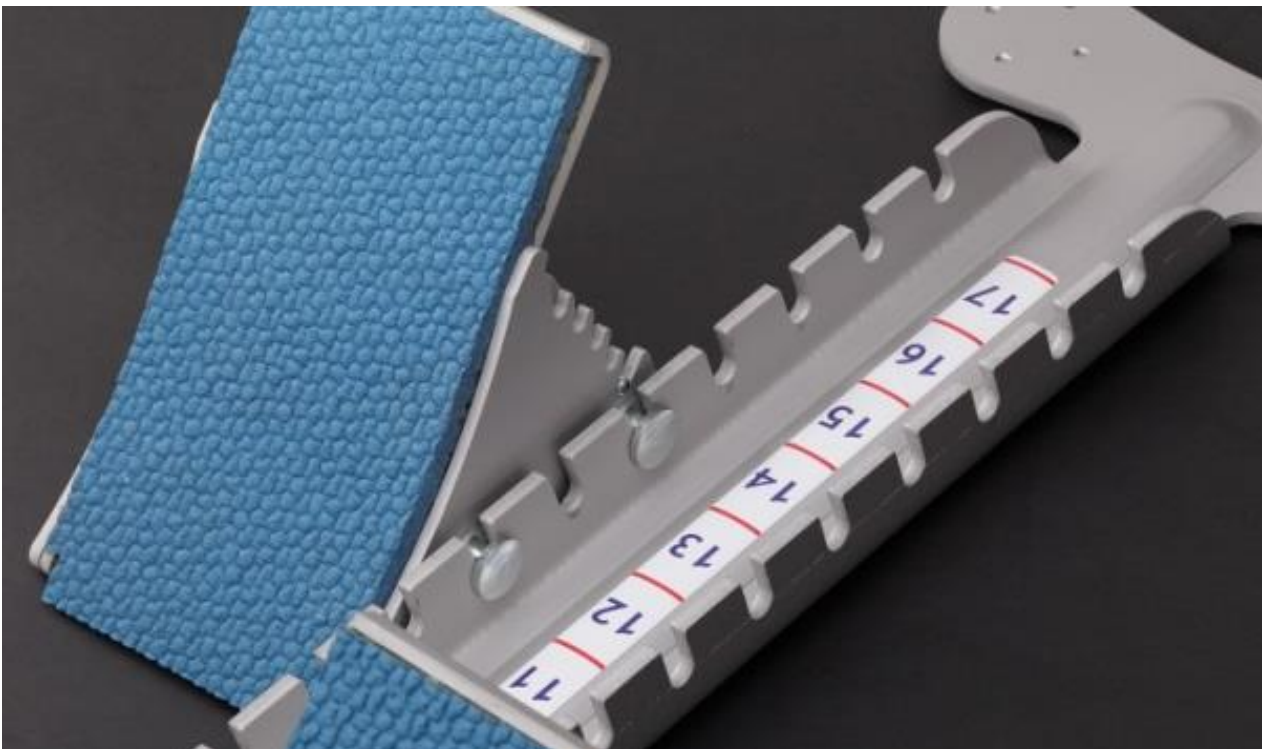
IV. Packing and transport

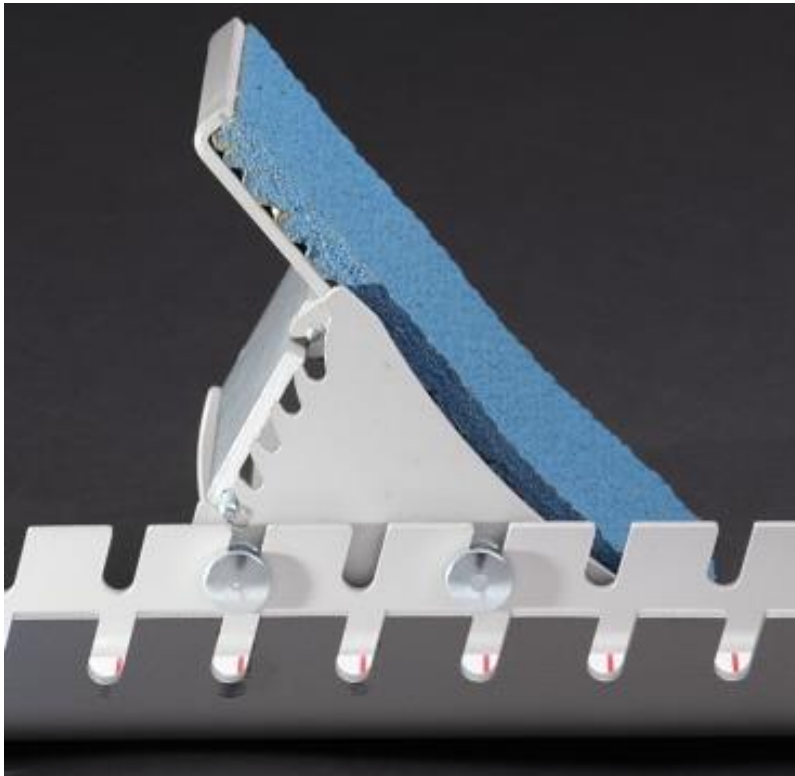
The starting block is packed in a carton box:

Box's dimensions [m]	contents	1 pc	2 pcs
	length L	1,02	1,02
	width B	0,35	0,35
	height H	0,17	0,17
Volume [m ³]		0,06	0,06
Gross weight [kg]		6,1	12,2



V. Product images





PBS14-04 © 2018 Polanik
The producer reserves the right to introduce without warning changes in product constructions and colours.



VI. IAAF Certificate

International Association of Athletics Federations



Product Certificate

*The IAAF is pleased to certify hereby
that the following product:*

Product's Trade Name: Starting blocks, Premium Line Competition

Description, Colour / Absolute Thickness: Aluminium, Various

Company Name, Country: Polanik Sp. z o. o. - Sp. K., POL

Catalogue Number: PBS14-04

IAAF Certification Number: E-14-0817

meets the dimensional requirements for use in all international athletics competitions.

It is for the purchaser to determine the item's fitness for the purpose based on his knowledge of the local conditions and use.

Valid from: 1 December 2018

Until the last day of: December 2022

This certificate is issued in accordance with the terms and conditions of the IAAF Certification System of track and field facilities, implements and competition equipment.



JORGE SALCEDO
IAAF Technical Committee Chairman

