

POLANIK
Poland, Życzliwa 11
97-300 Piotrków Trybunalski

tel. +48 44 646 44 81
tel. +48 44 648 50 89
fax +48 44 646 43 58

e-mail: info@polanik.com
www.polanik.com



Instruction manual

Competition toe board

S-269



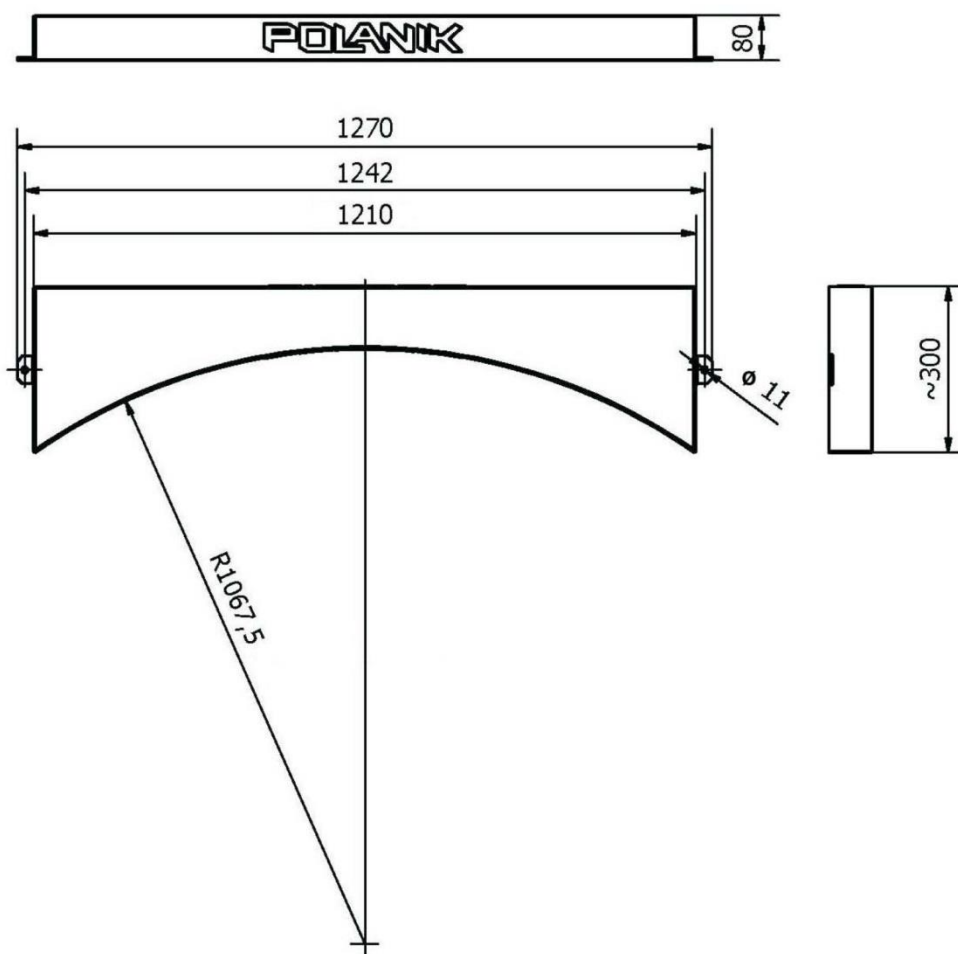
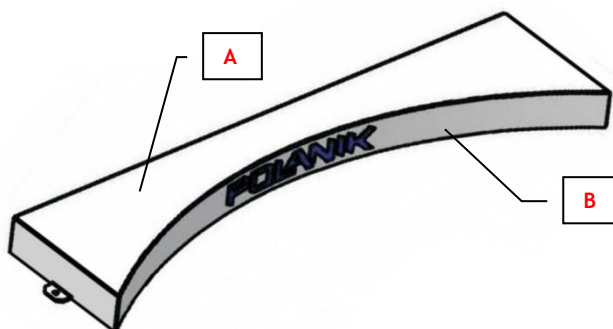
File: 2016-06-29
PRODUCT SUPPORT
Pawel Ciechanowski
p.ciechanowski@polanik.com

I. General description and use

S-269 is an original steel-wooden construction which is very resistant to impacts - the toe board can endure the impact of the 8 kg shot put dropped from the height of 1,8 m. It is designed for mounting at the shot put throwing circle.

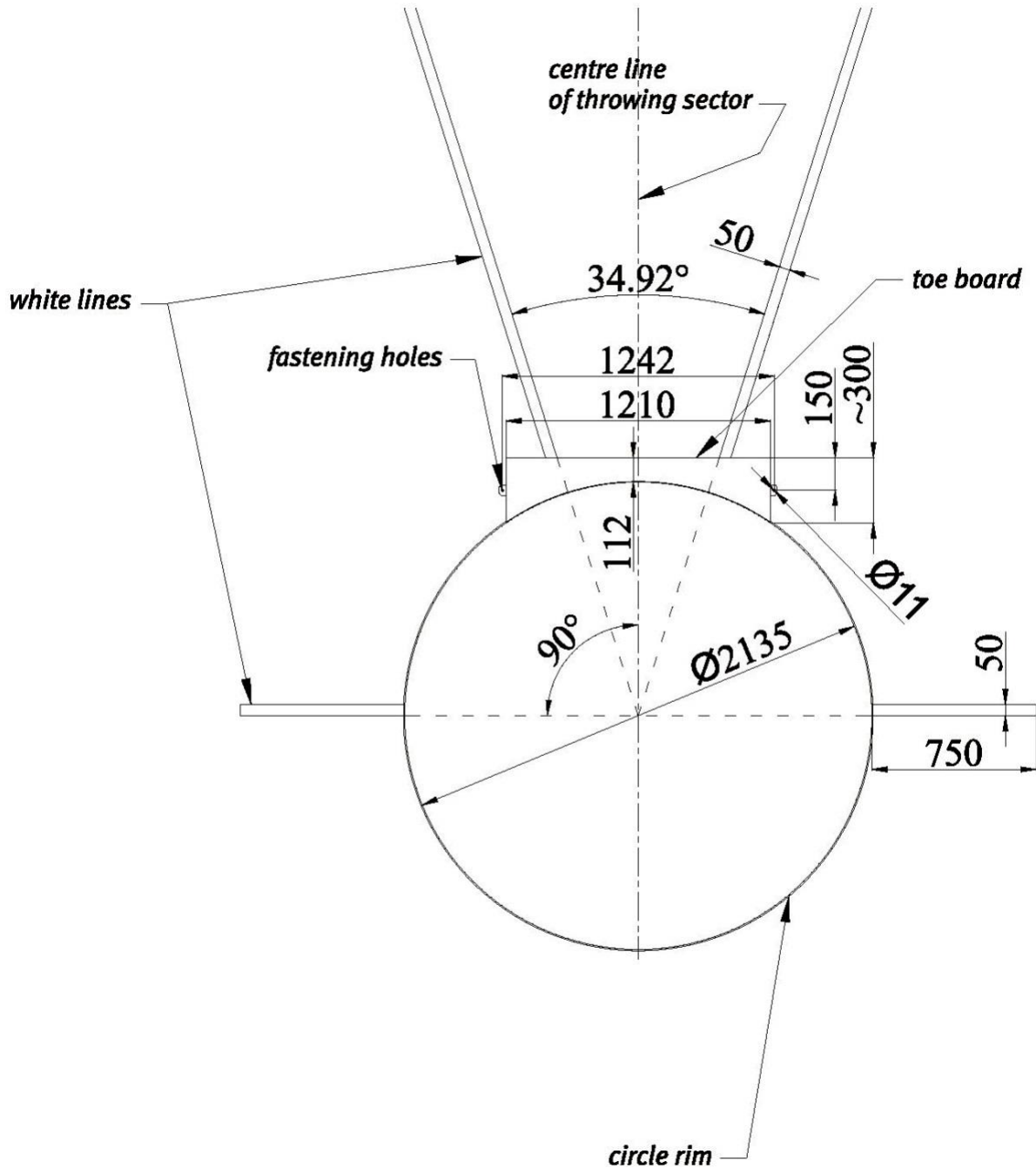
II. Technical specification

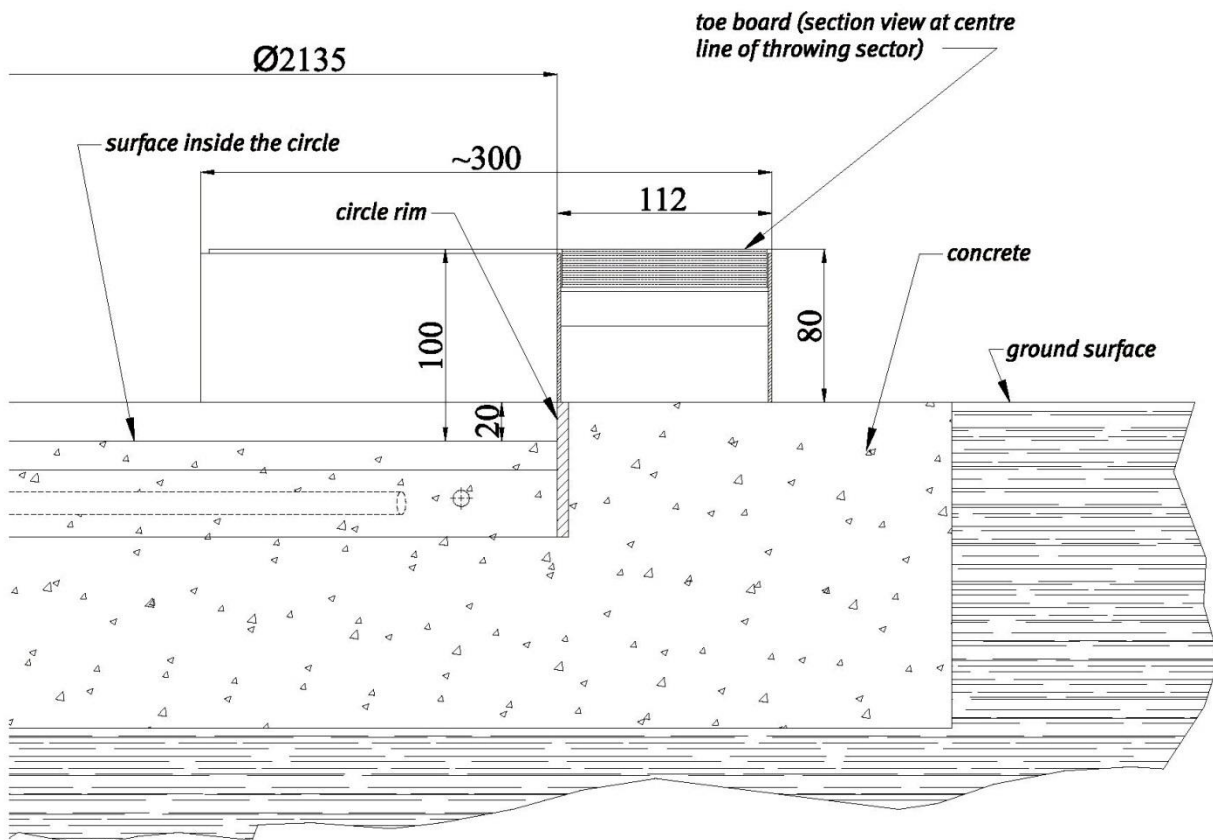
Code	S-269
Board type	competition, certified
(A) Top element	replaceable, made of 20 mm thick waterproof plywood coated with ecological water based paint, code S-269-00-01
(B) Steel frame	galvanized, powder painted, two fastening holes
Weight [kg]	11



III. Installation in the field

[mm]





IV. Operation and maintenance

Even though the wooden elements are impregnated and protected with paint, a prolonged contact with water can devastate or deform them. That is why the toe board is to be obligatorily dismantled for autumn and winter seasons, and stored in a dry roofed place. Defects in the paint coating should be mended regularly. In case of damage or wear the top element is easily replaced.

V. Packing and transport

The toe board is packed in a carton box:

	contents	1 toe board
Dimensions [cm]	length	128
	width	31
	height	9
	Volume [m ³]	0,036
Gross weight [kg]		11,50

VI. IAAF Certificate



Product Certificate

*The IAAF is pleased to certify hereby
that the following product:*

Product's Trade Name:
Fixed equipment, Stop board, Shot Put, Competition

Description, Colour / Absolute Thickness:
Steel-wooden, White

Company Name, Country:
Polanik Sp. z o. o. - Sp. K., POL

Catalogue Number:
S-269

IAAF Certification Number:
E-06-0451

meets the dimensional requirements for use in all international athletics competitions.

It is for the purchaser to determine the item's fitness for the purpose based on his knowledge of the local conditions and use.

Valid from:
1 October 2018

Until the last day of:
October 2022

This certificate is issued in accordance with the terms and conditions of the IAAF Certification System of track and field facilities, implements and competition equipment.



JORGE SALCEDO
IAAF Technical Committee Chairman



VII. Product images



S-269 © 2018 Polanik

The producer reserves the right to introduce without warning changes in product constructions and colours.