

TECHNICAL SPECIFICATION USER MANUAL

Competition automatic aluminium hurdle

PP13-170A



File: 2017-12-07
PRODUCT SUPPORT
Paweł Ciechanowski
p.ciechanowski@polanik.com



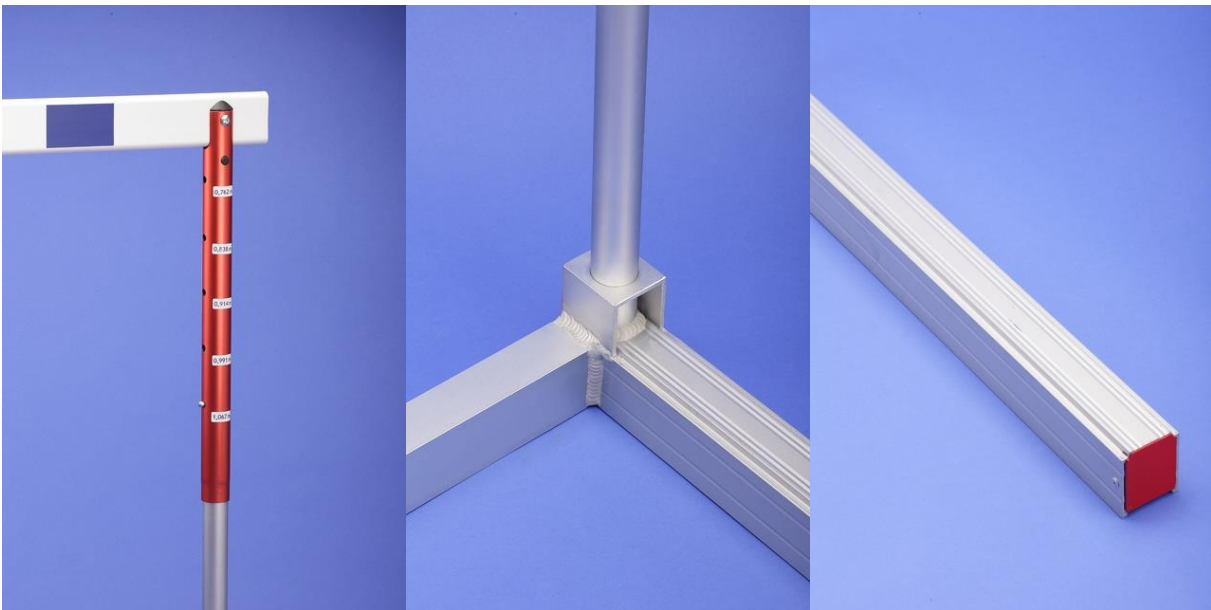
Contents

Chapter	Page
I. General description and use	2
II. Technical specification	3
III. Operation and maintenance	4
IV. Packing and transport	4
V. Product image	5
VI. IAAF Certificate	6

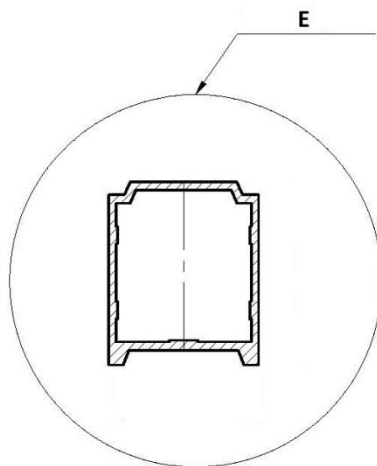
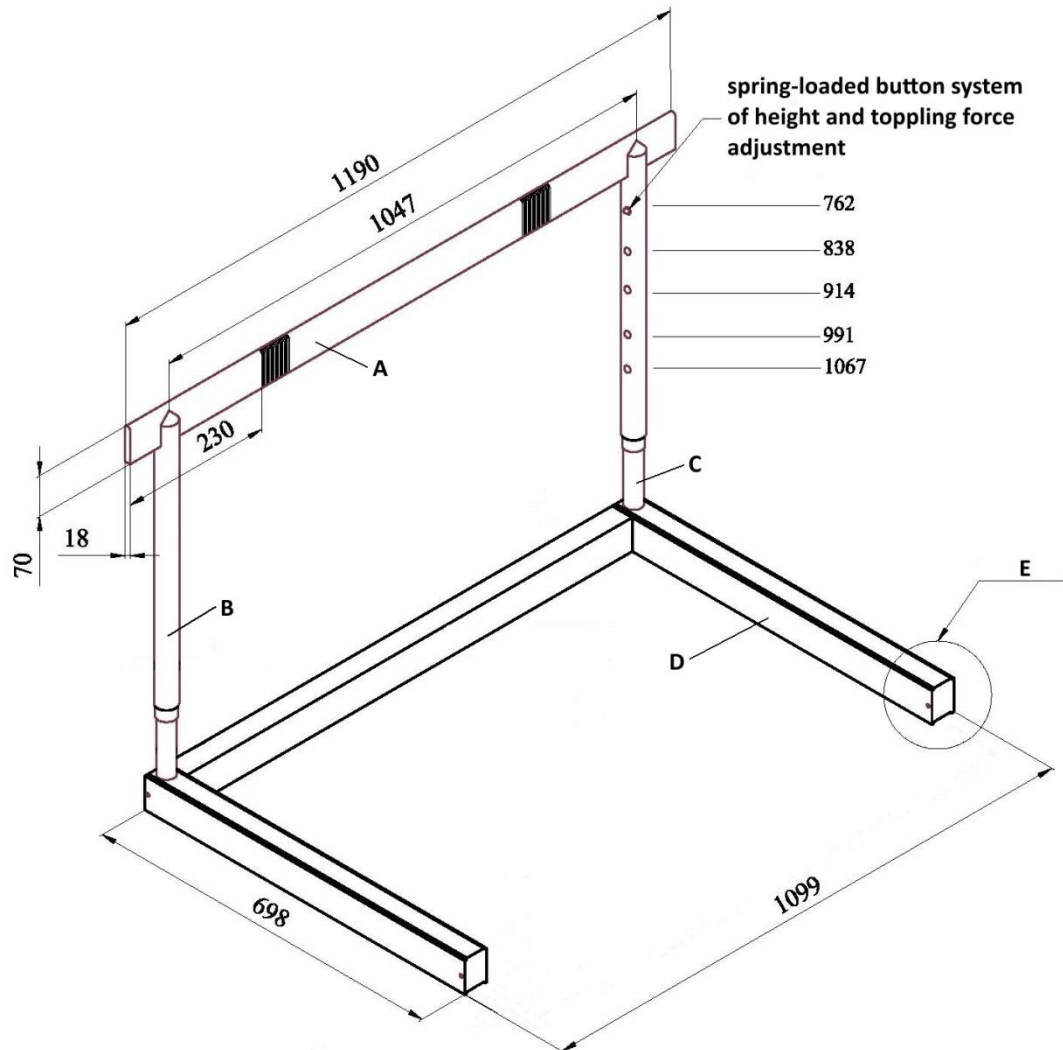
I. General description and use

PP13-170A is a highly resistant to unfavourable weather conditions, very much durable competition hurdle, which is designed for hurdle race in national and international competitions. Main features:

- spring-loaded button integrated system of height and toppling force adjustment
- very durable construction – anodized one-piece aluminium frame, anodized telescope tubes and highly durable plastic top board made of ribbed profile
- easy to stack up because of special square feet
- special cut-outs for mounting crossbars
- IAAF certified **E-13-0751**.



II. Technical specification



Code	PP13-170A
Hurdle type	one piece, competition, automatic, certified
(A) Top board	plastic, with inside ribbing
(B) Telescope tube	anodized aluminium and dyed in red*, spring-loaded button integrated system of height and toppling force adjustment
(C) Frame	aluminium anodized
(D) Feet	aluminium anodized*, permanently fixed to hurdle frame, special square profile makes it easy to stack up
Heights [mm]	762, 840, 914, 990, 1067
Weight [kg]	12
*There may be differences in hue between the telescope tubes and the hurdle feet.	

III. Operation and maintenance

The hurdle is ready for use immediately after delivery. The hurdle is equipped with the patent pending fully automatic system of height adjustment, so one press of the spring-loaded button on the telescope changes simultaneously height and counterweight position in the hurdle feet.

The height adjustment is done as follows:

- a) while holding the telescope tubes press the spring-loaded buttons simultaneously,
- b) slide the telescopes down or up to adjust the height until the buttons click.

During idle periods the hurdles must be stored in a roofed dry place. For optimal performance they should be stored and transported on Polanik hurdle carts: HC-23 and HC-34. After every athletics season the hurdles must be cleaned from sand (mud, dust and etc).

Even the best technical solutions cannot substitute for common sense. The usage of the product must take place under the supervision of qualified coaches. The producer shall not be liable for any incidents caused by its misuse.

IV. Packing and transport

The hurdles are put on pallets (15 pcs on one pallet) and wrapped with foil for short distances or sent overseas in cases.

Packing type		foiled pallet	case
Package's dimensions [cm]	contents	15 hurdles	15 hurdles
	length	122	127
	width	108	113
	height	175	187
Volume [m ³]		2,31	2,68
Gross weight [kg]		210	250

V. Product image



PP13-170A © 2017 Polanik

The producer reserves the right to introduce without warning changes in product constructions and colours.

VI. IAAF Certificate

International Association of Athletics Federations



Product Certificate

*The IAAF is pleased to certify hereby
that the following product:*

Product's Trade Name:
Hurdle, Competition automatic aluminium

Description, Colour / Absolute Thickness:
Plastic top bar, Aluminium/red

Company Name, Country:
Polanik Sp. z o. o. - Sp. K., POL

Catalogue Number:
PP13-170A

IAAF Certification Number:
E-13-0751

meets the dimensional requirements for use in all international athletics competitions.

It is for the purchaser to determine the item's fitness for the purpose based on his knowledge of the local conditions and use.

Valid from:
1 December 2017

Until the last day of:
December 2021

This certificate is issued in accordance with the terms and conditions of the IAAF Certification System of track and field facilities, implements and competition equipment.



SEBASTIAN COE
IAAF President



JORGE SALCEDO
IAAF Technical Committee Chairman

