

ASSEMBLY MANUAL

PERFORMANCE BOARD

TYPE T9-S271



File: 2016-08-02

TECHNICAL SUPPORT

Paweł Ciechanowski

p.ciechanowski@polanik.com

Thank You for choosing Polanik performance board type T9-S271!

Contents

Chapter		Page
I.	General description	2
II.	Parts/sets list	3
III.	Assembly	5
IV.	Operating and maintenance	9

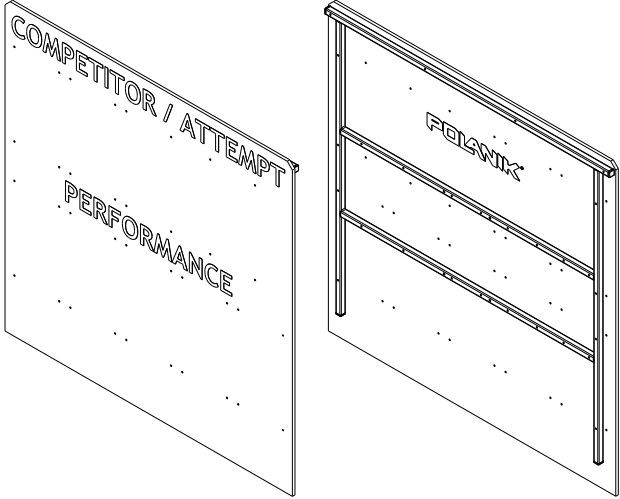
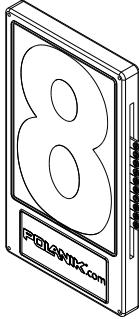
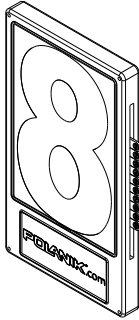
I. General description

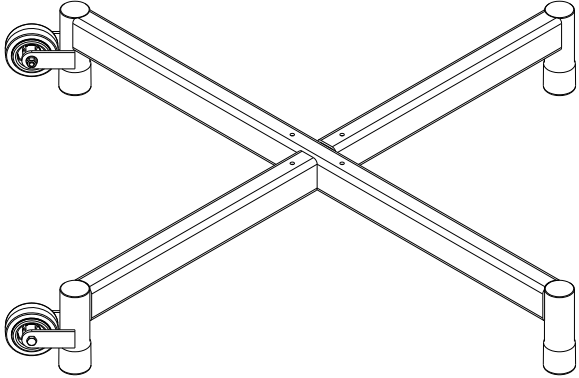
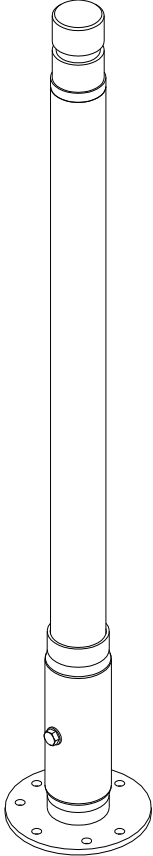
The performance board T9-S271 is used to show number of competitor, attempt and results during track events and trainings.

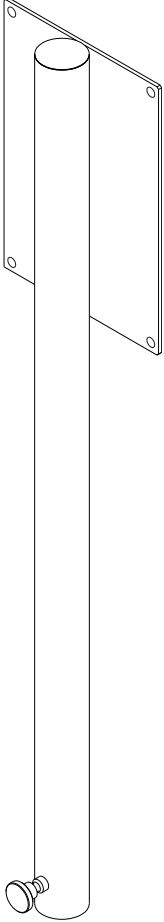
Main features:

- Innovative construction - consist of elements, which are easy to assembly, transport and store.
- Simple operating – possibility of fast assembly and easy setup required number on digital plastic units
- High durability and quality – all metal elements are made of powder painted steel. Other elements and digital plastic units are made of high class, weatherproof materials
- Possibility of exchange used elements

II. Parts/sets list (performance board T9-S271)

Item	Part/set description	Q-ty pcs	Draw no.	Part/set sketch
1	Supporting plate with bracket S-271-04-11 + 4 screws with washers	1	1, 2, 3	
2	Digital plastic units (black numbers) + 4 screws per unit	6	1, 2, 3	
3	Digital plastic units (black numbers) + 4 screws per unit	3	1, 2, 3	

Item	Part/set description	Q-ty pcs	Draw no.	Part/set sketch
4	Base of the board S-271-01-00	1	2, 3	
5	Clamping ring with constant tube S-271-02-00 + 4 screws with washers.	1	2, 3	

Item	Part/set description	Q-ty pcs	Draw no.	Part/set sketch
6	Backing plate with rotary tube S-271-03-00	1	1, 2, 3	

III. Assembly

The performance board T5-S273 is delivered partially disassembled and it contains all the elements.

The product should be assembled according to drawings below:

Assembly starts with setting the base (item 4).

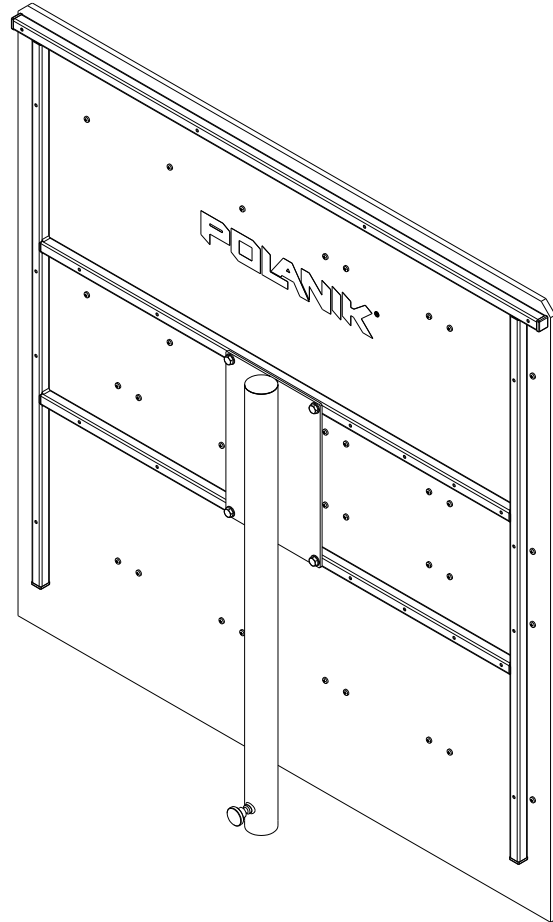
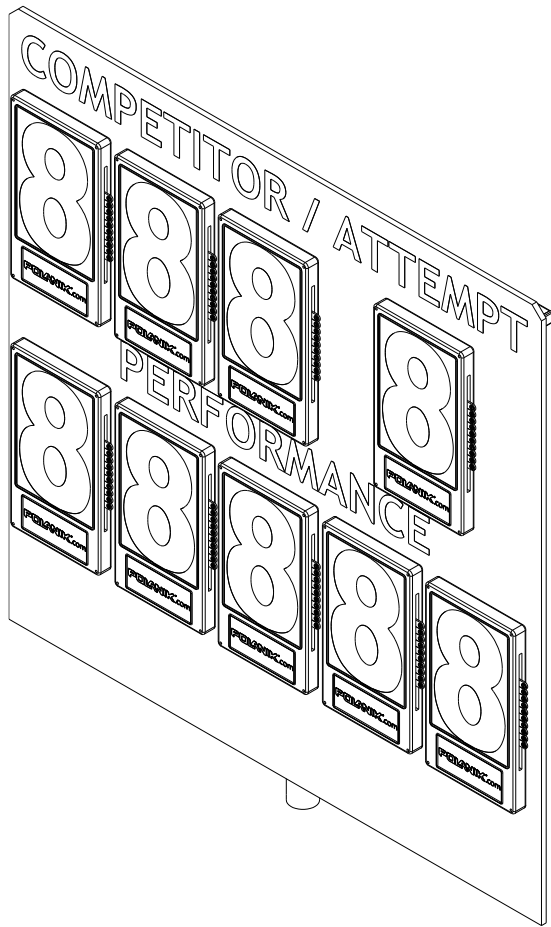
Then screw down the clamping ring with the constant tube (item 5) to the base, using 4 screws and washers.

Afterwards put factory installed subassembly (drawing no 1.) of supporting plate with bracket (item 1), with digital plastic units (item 2,3) and backing plate with rotary tube of the plate (item 6) on the clamping ring with the constant tube (item 5)

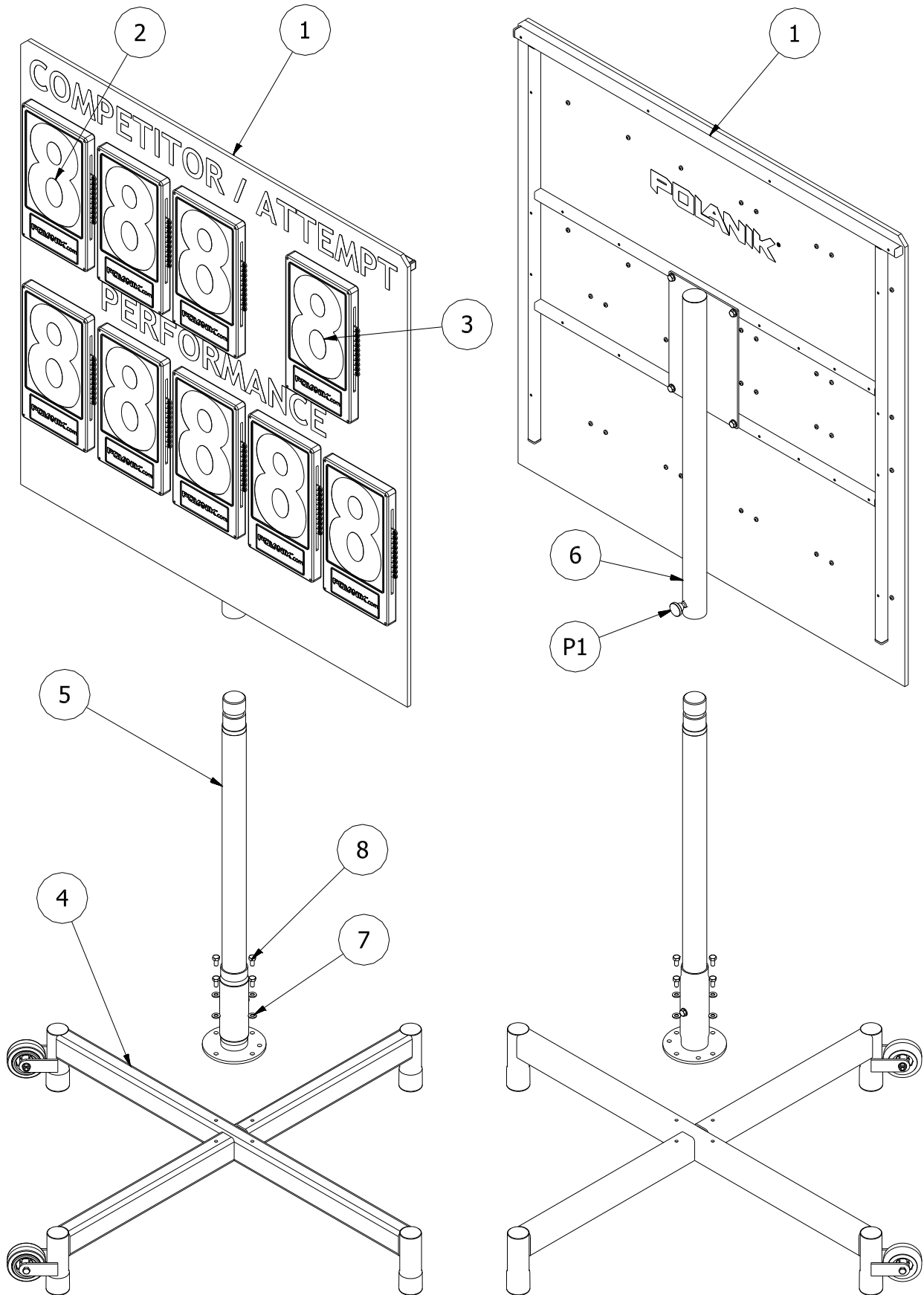
Now place the supporting plate (item 1) with digital plastic units in desired position and block it with handwheel. (drawing no 2. ref. P1)

The handwheel is used also to set up an appropriate resisting force of the board's rotations.

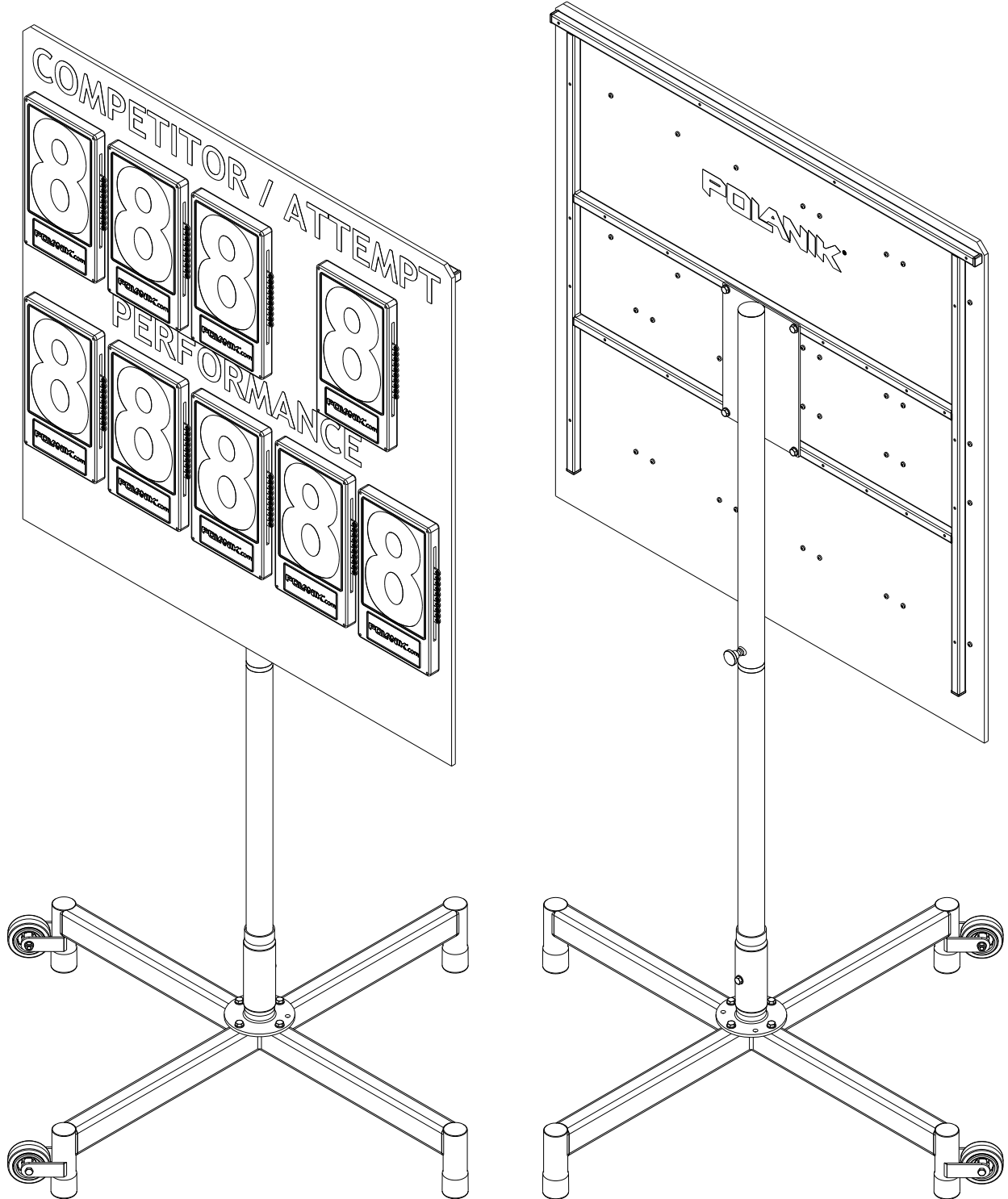
The performance T9-S271 board is ready to use.



Drawing no 1. Factory installed subassembly of the performance board T9-S271.



Drawing no 2. Assembly of the performance board T9-S271.



Drawing no. 3 Assembled performance bar T9-S271.

IV. Operating and maintenance

Attention !

Digital plastic units have self-locking handles to move numbers. When setting the result do not move more than 2/3 digits – it will provide failure free and long lasting operating.

After each use the product should be cleaned and stored in dry, roofed place.

Performance board has special wheels to make it's transport easier.

The first step is to block the rotation of the board subassembly(item 5) on the constant tube with connector (Drawing no 1). Set the board subassembly back to the wheels in the base (item 4) and screw in the blocking handwheel. This will cause that the performance board will not turn. Then, lower blocked board toward wheels until wheels stand on the ground.

Now, holding the top of the board, the whole product can be transported on its wheels to the roofed place.

Dirt remove with moist cloth and mild detergent. Damages of protective coating fill with metal paint.

Even the best technical solutions cannot substitute for common sense. The usage of the product must take place under the supervision of sports facility technical staff. The producer shall not be liable for any incidents caused by the improper assembly or misuse of performance board T9-S271.